



USER MANUAL

MARCH 2024

BLDC
FAN

ENERGY
EFFICIENT

LOW
NOISE

IS 374:2019



CML- 8800112515



KÜHL BRISE

STYLISH FANS FOR MODERN HOMES

Welcome to Kühl

Dear Customer,

Thank you for choosing Kühl Stylish Fans! It is indeed a wise decision as Kühl Stylish Fans are based on the New Technology named BLDC that offers energy efficient and low noise operation. This feature not only helps to keep the room cool but also keeps the electricity bill in check. The fans operate at a high speed and without noise. We believe in customer satisfaction as each Kühl Stylish fan is delivered to you after going through an extensive and complete series of testing procedures that examine every area of its operation, effectiveness, and efficiency under various working situations.

Kühl Stylish Fans are here with everything you need from a fan and much more to give you all-round performance. With 1/3rd energy consumption, it is a pioneer in energy efficiency and brings you world class comfort. It's time to say goodbye to high electricity bills and be a part of the smart future.

Thank you!

Kühl Stylish Fans

TABLE OF CONTENTS

1. Introduction.....	4
2. Features of Kühl Brise Stylish Fan.....	4-5
3. Items in the Box	6
4. Know your Remote Control Device.....	7
5. Power Saving & Energy Efficient Guide.....	8
6. Cost Saving Guide	8
7. Mounting Recommendations & Maintenance	9
8. Safety Guidelines	9
9. Assembly Instructions	10-18
10. How to operate Kühl Brise BLDC Fan	18
11. How to Operate Remote Control Device	19-20

INTRODUCTION

Style has never been defined in a better way than the Kühl Brise Series Fans that not only enhances the style quotient of your home but also makes it more awe-struck than ever. Designed to make your space more aesthetically pleasing and stylish, they are designed with a classy combination of stylish finish and new-edge features. Despite their stylish appearance, Kühl Brise Fans work only on 30 watt as against heavy 75 W induction fans. The series includes Kühl Brise E3, E4, and E5 that are not just functionally powerful but also beautiful, making them a must to enhance the aesthetic appeal of your home.



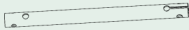

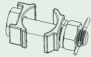




FEATURES OF YOUR KÜHL BRISE FAN

- **BLDC Technology for Energy Saving:** Kühl Stylish Fans offer better speed versus torque characteristics. It ensures high dynamic response and efficiency. Thanks to its lack of electrical and friction losses, it offers long operating life and ensures one more step towards building a sustainable future.
- **Highest Air Delivery:** Energy efficient operation with around 30W Power, 1320mm Sweep, & high RPM speed to fill every corner of your place with fresh air as per your need. Its higher air force ensures unmatched comfort to every corner of the place.
- **Low Noise:** The low noise operation without compromising the speed limit is one of the most desired features of Kühl Stylish Fans. They operate at low speeds while providing high air flow with low turbulence and minimal wind noise.
- **One Fan Many Operations:** Kühl Stylish Fans are IoT-enabled, making it efficient and easy to use. Conveniently set to adjust the fan speed, lighting preferences, different modes, set timer, and a lot more via:
 - Remote
 - Smart Phones
 - Alexa/Voice Enabled
 - Wi-Fi/IoT Operated

- **Aerodynamic Blades:** Aerodynamic design helps deliver higher airflow and low noise at a low wattage.
- **Reverse Mode:** During winters, when hot air gets stuck at the top of the ceiling, you can switch on the reverse mode for air circulation, so you can feel warm air consistently spread across the place.
- **Attractive Design:** Stylish enough to enhance the look of your place, Kühl Stylish Fans feature decorative trims and a sleek surface that become the centre of attention in any space.
- **5 Star Rated:** All Kühl Stylish Fans are 5 Star Rated that helps bring down the power consumption, thus, saving a lot of energy and money.

SPECIFICATION	KÜHL BRISE E3	KÜHL BRISE E4	KÜHL BRISE E5
MAX POWER (W)	30	30	30
SWEEP (MM)	1320	1320	1320
MAX SPEED (RPM)	232	205	188
AIR DELIVERY (CMM)	225	225	225

Items in the box

Fan Motor Unit	1 N	
Canopies	2 N	
Down Rod	1 N	
Shackle	1 N	
Down Rod Bolt	1 N	
Blades	3/4/5 N	
Fan Remote	1 N	
Pencil Cell AAA	2 N	
Supply Wires	1 N	
Warranty Card	1 N	

Know your Control Device

Remote

- **SPEED SETTINGS:** Speed varies for five different levels, wherein S1 is the lowest fan speed and S5 is the highest. Press as per your requirement.
- **SLEEP MODE:** Auto speed control for uninterrupted comfortable sleep. Select this setting before going to bed, and the speed will automatically drop to the minimum pace you specify.
- **BUILT-IN TIMER:** You can use timer settings for 1 hour, 4 hours, & 8 hours accordingly.
- **BOOST MODE:** Press this button to accelerate the fan past, its maximum speed directly when it's too hot.
- **REVERSE MODE:** When you put the fan into reverse, it draws air upward. This brings the warmer air near the ceiling back down into lower half of the room, where the people are.

NOTE: Sleep mode, Built-In timer mode, and Reverse mode are available through Kühl Fan's App.



IoT/Wi-fi

Please follow the given steps to connect Kühl fan to Wi-Fi Network:

- Use a Paired Remote.
- Switch ON Fan.
- Press & hold "Boost" button.
- On remote for 10s.
- 2 Beeps indicate success.
- Use Kühl mobile app for Wi-Fi Pairing.

Voice command/Alexa

To set up Alexa:

Simply link your Alexa account to the Kühl mobile application to setup Alexa with your Kühl fan.

Power Saving & Energy Efficient Guide

Kühl Stylish Fans come with revolutionary and super energy-efficient BLDC motor technology that consumes less energy. Our fans consume only 1/3rd of the power consumed by ordinary fans. Kühl Stylish Fans run on just 30watt at full speed whereas ordinary induction fans run on approx. 80 watt.

Cost Saving Guide

	Induction Fans	Kühl Brise Fans (E3, E4 & E5)
Power consumption	75 W	30 W
Assumed usage of fan per day (hours)	16 h	16 h
Power consumption – KWh Units per day	1.2 kWh	0.48 kWh
Electricity bill per day @ Rs 7/unit	Rs 8.4	Rs 3.36
Electricity bill per annum	Rs 3066	Rs 1226
Savings per annum	-	Rs 1840
Cost saving (Up to)	-	66%

Mounting Recommendations & Maintenance

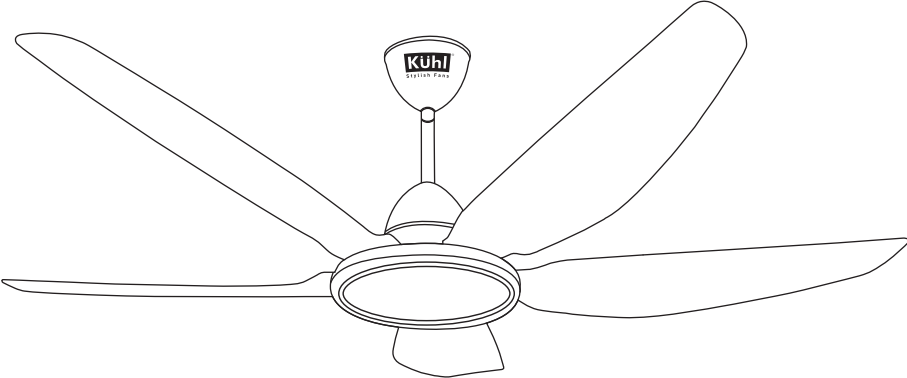
- A minimum height of 2.3 meters above the ground is required for the fan's mounting. Allow enough room from the ceiling for the high-level cabinet doors to open. At least 0.25 meters should separate the blade from the ceiling
- The horizontal distance from the nearest wall to the blade tip should be around 0.5 times the fan sweep, for example, from 1320 mm, it should be 660 mm
- There should be a minimum clearance of 2 times the fan sweep between the centers of two fans, for example, 1320 mm should be 2640 mm.
- Turn the fan off before cleaning, to prevent any harm or damage. Be extremely cautious while working around the fan. There is no additional type of maintenance needed except routine dusting. To prevent scratches, use a soft brush or a lint-free cloth. Avoid using solvent, abrasive, or hard detergent.
- To prevent the fan from wobbling or dropping, never exert too much power while cleaning the blades. To prevent any inconvenience, frequently check that the nuts, bolts, screws, and washers are in correct position.

Safety Guidelines

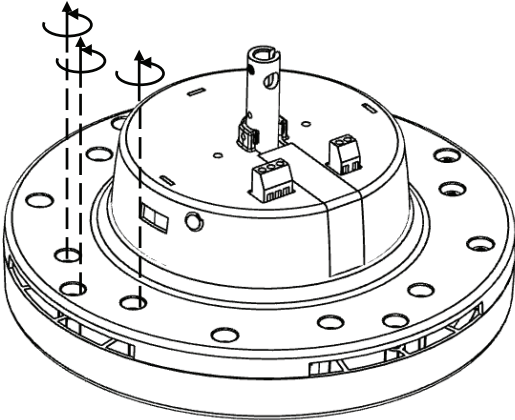
Read the [safety guidelines](#) carefully to understand the installation, use, and maintenance.

- Never place any part of the packaging within the reach of children/differently abled.
- Avoid using moist or damp hands while switching ON/OFF this appliance.
- Before cleaning and doing other maintenance procedures, be sure to turn off the fan's power supply.
- To prevent mishaps, it is advised to inspect the suspension system of the ceiling fan every six months to ensure that the fasteners are properly tight.

ASSEMBLY INSTRUCTIONS KÜHL BRISE SERIES FAN

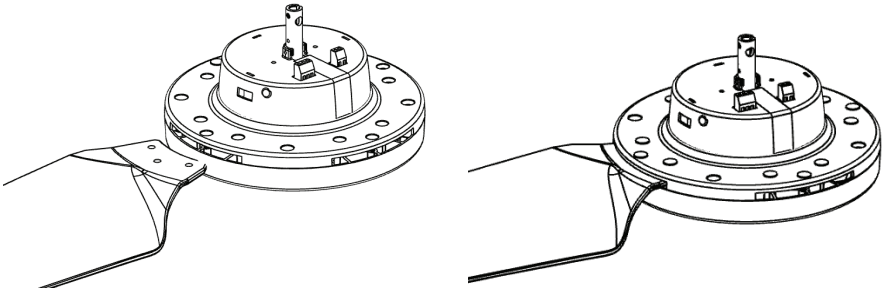


STEP 1. OPEN BLADE SCREWS



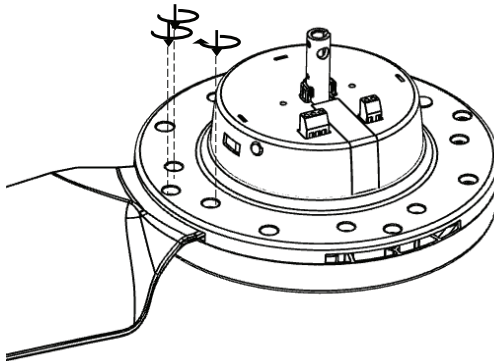
Place the Motor unit over a towel on a table, and open the 4 Blades and Screws as shown

STEP 2A. ASSEMBLE 1ST BLADE



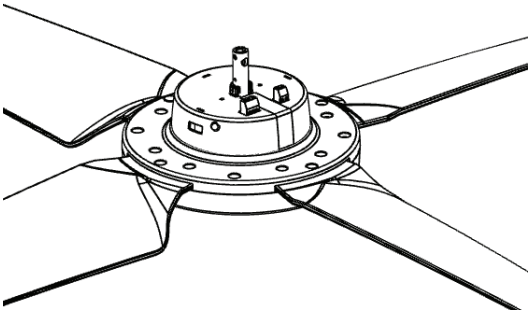
Bring the 1st Blade towards the fan motor, and align with the blade holes on the motor unit

STEP 2B. ASSEMBLE 1ST BLADE



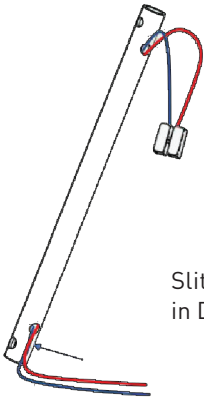
Re-insert and fasten the 2 screws

STEP 3. ASSEMBLE ALL 4 BLADES



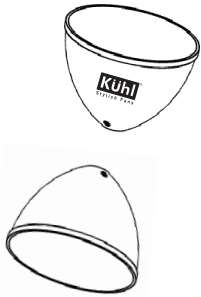
In a similar manner as done for the 1st blade, assemble the other 3 blades

STEP 4. DOWN ROD INSTALLATION



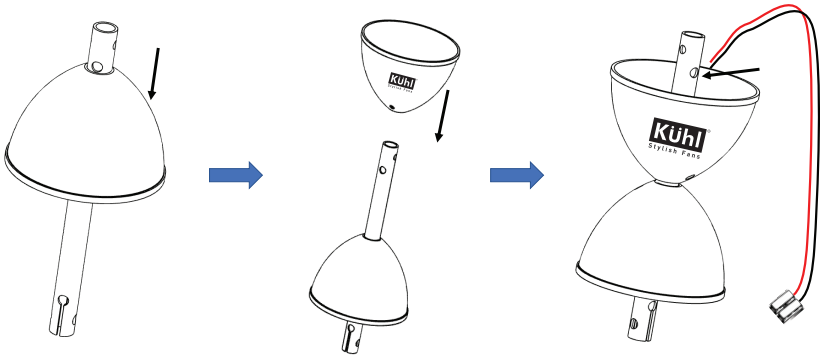
Slit side downwards
in Down Rod

Take the Down Rod with
pre-inserted supply wire



Also bring the Canopies

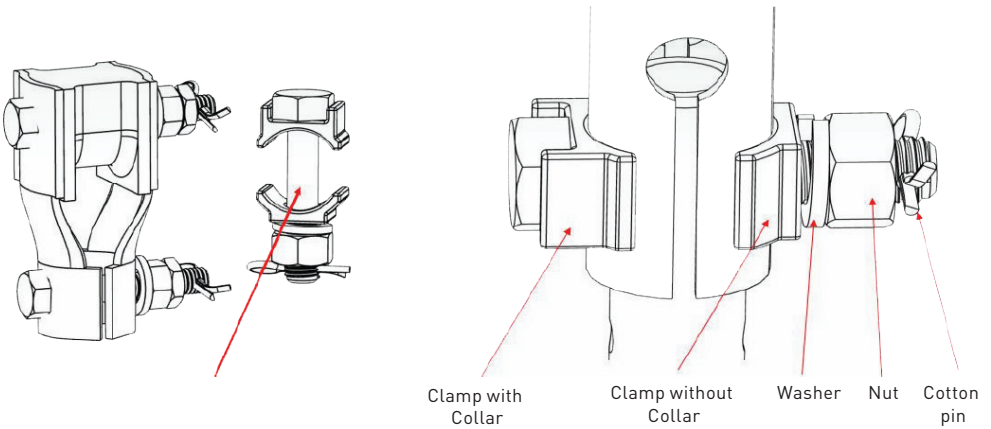
STEP 5. INSERT CANOPIES OVER DOWN ROD



Insert smaller Canopy from Slit-end of Down Rod

Raise bigger Canopy and tighten the Canopy screw to hold it in place

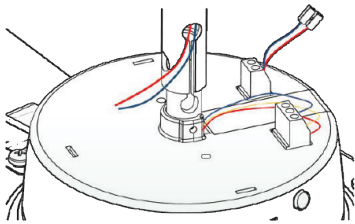
DOWN ROD BOLT



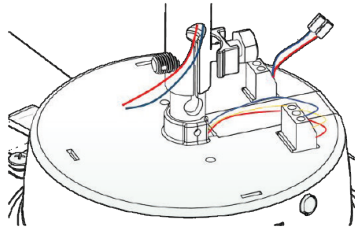
Take the Down Rod Bolt from the Shackle kit

Bolt Assembly Details

STEP 6A. DOWN ROD ASSEMBLY

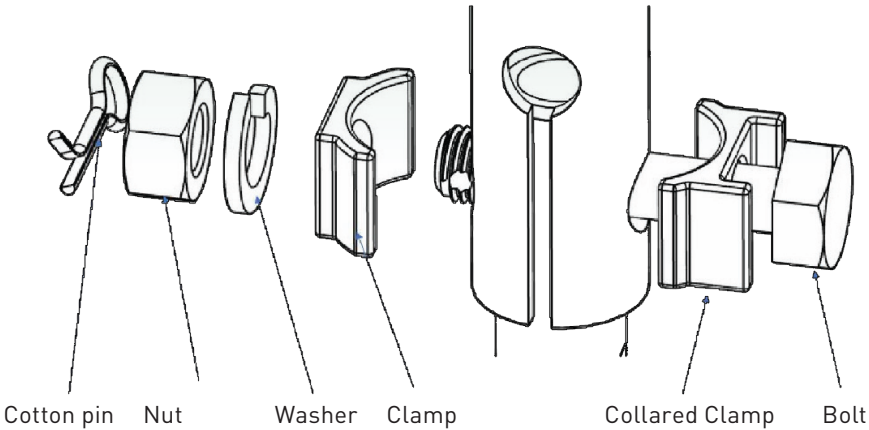


Insert Down Rod slit-end down over Motor Shaft

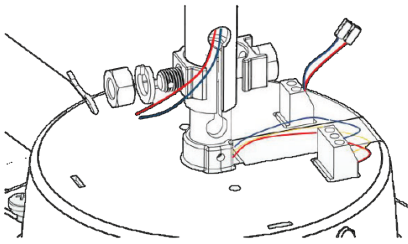


Insert Down Rod Bolt with Collared Clamp

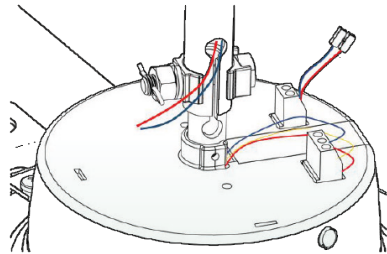
BOLT ASSEMBLY SEQUENCE



STEP 6B. DOWN ROD ASSEMBLY

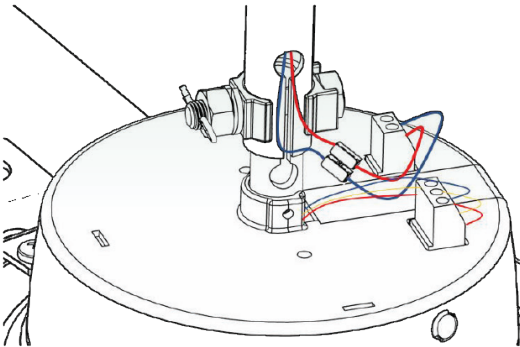


Fasten the Down Rod bolt as shown

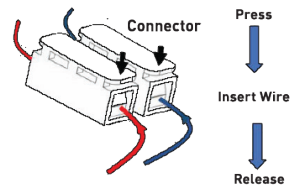


Down Rod bolt fastened

STEP 7. MAKE ELECTRICAL CONNECTIONS

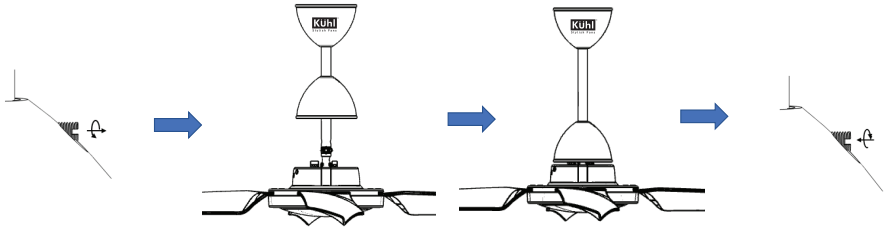


Connect the Supply wire from Down Rod into Link Wire connector



Wire Connection Method

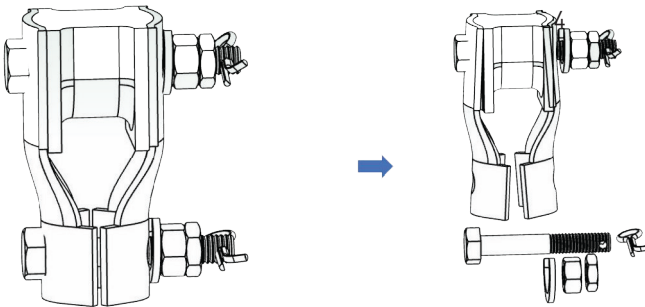
STEP 8. BRING LOWER CANOPY DOWN



Loosen The Screw and
Bring the lower Canopy down

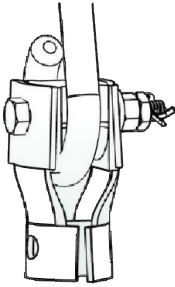
Fasten back the Screw to
lock the canopy in position

STEP 9. OPEN LOWER BOLT FROM SHACKLE

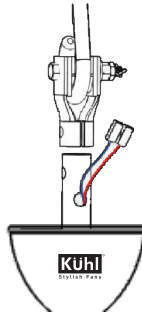


STEP 10. INSTALL SHACKLE AND HANG THE FAN

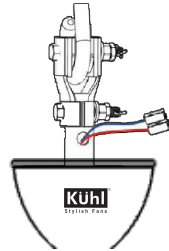
Insert Shackle
into Ceiling Hook



Raise Fan
to Shackle



Re-insert
Lower Bolt

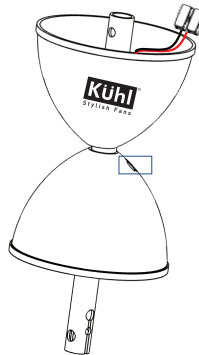


Tighten with Washer, Nut, Lock Nut
and Cotter Pin in sequence as written

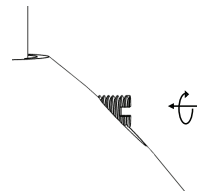
STEP 11. CONNECT TO ELECTRIC SUPPLY



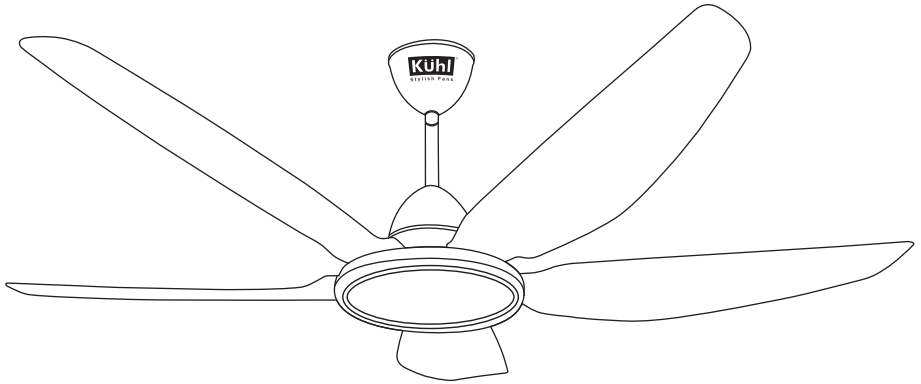
Connect the wires from main
supply into fan connector



Raise the upper Canopy and
tighten the Canopy screw



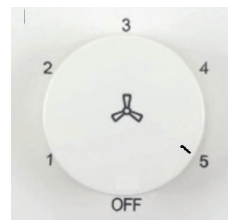
ASSEMBLY AND INSTALLATION COMPLETE



How to operate Kühl BRISE BLDC Fan

Important Instructions regarding Regulator:

- Fan regulator is not required for this BLDC fan because it is operated by remote.
- You should ask your electrician to bypass the Regulator in Switch Board wiring, Otherwise fan may not operate properly.
- If Fan wiring is already through a Regulator in switch board, then make sure that Regulator is always set at max speed, and any change in speed should be done by Remote.



How to operate Remote Control Device

Get the Remote ready.

- Insert 2 Nos. AAA Batteries provided into the Remote Unit's slot provided at back.
- Switch ON the fan from switch board to operate it with Remote as explained hereafter.

Pair the Remote with Fan, if not paired already.

- Press POWER button on Remote to start BLDC Fan.
- In case the fan starts running, your Remote is already paired.
- However if the fan does not run, the remote requires pairing with Fan. Do the following:
- Switch OFF the fan from switch on the wall, and Switch it ON again.
- Within 45 sec of switch ON, press the POWER button on Remote and keep it pressed for 10 sec. You'll hear a double beep. The fan is now paired and can be operated with remote.



Power ON/OFF Button

- Press POWER button on Remote to start BLDC Fan.
- Beep sound will indicate that it is switched ON.
- Press power button again to switch OFF/ON the BLDC Fan.
- BLDC fan always re-starts at last Switch OFF speed.
- In case there is a power failure, the fan will automatically restart at previous speed.
- If you want to switch off the fan during power failure, you have to switch it off from the Main board switch in wall, as remote is not operational without Power.
- It is recommended to switch off the fan from wall mounted switch when going out of home.



Speed Buttons

- Kuhl BLDC Fans comes with five different speed settings. You can control the speed, with the help of the (-) & (+) buttons. For instance, to decrease the speed press (-) and vice – versa.

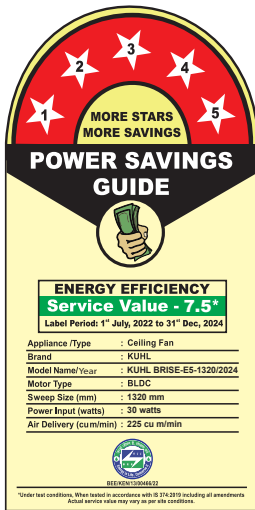


Boost Button

- If you want to run the BLDC fan at maximum speed Press BOOST button on Remote. A beep will confirm the action.



All Kühl BRISE Fans 5- Star Rated By BEE



**MORE STARS
MORE SAVINGS**

**POWER SAVINGS
GUIDE**

**ENERGY EFFICIENCY
Service Value - 7.5***

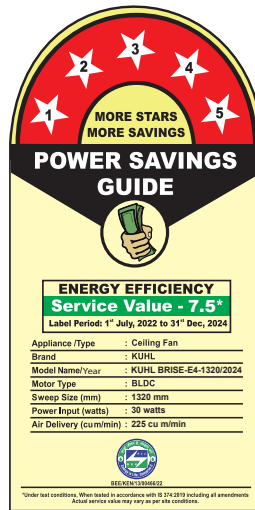
Label Period: 1st July, 2022 to 31st Dec, 2024

Appliance /Type	: Ceiling Fan
Brand	: KÜHL
Model Name/Year	: KÜHL BRISE-E5-1320/2024
Motor Type	: BLDC
Sweep Size (mm)	: 1320 mm
Power Input (watts)	: 30 watts
Air Delivery (cum/min)	: 225 cu m/min

BEE/EN/131449/22

*Under test conditions. When tested in accordance with IS 174:2019 including all amendments. Actual service value may vary as per site conditions.

Kühl BRISE E5



**MORE STARS
MORE SAVINGS**

**POWER SAVINGS
GUIDE**

**ENERGY EFFICIENCY
Service Value - 7.5***

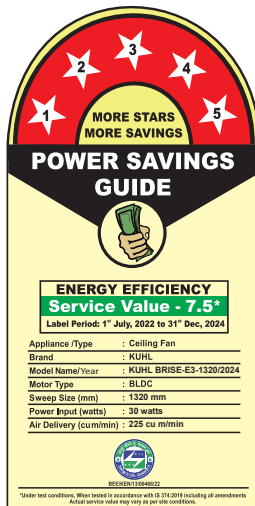
Label Period: 1st July, 2022 to 31st Dec, 2024

Appliance /Type	: Ceiling Fan
Brand	: KÜHL
Model Name/Year	: KÜHL BRISE-E4-1320/2024
Motor Type	: BLDC
Sweep Size (mm)	: 1320 mm
Power Input (watts)	: 30 watts
Air Delivery (cum/min)	: 225 cu m/min

BEE/EN/131449/22

*Under test conditions. When tested in accordance with IS 174:2019 including all amendments. Actual service value may vary as per site conditions.

Kühl BRISE E4



**MORE STARS
MORE SAVINGS**

**POWER SAVINGS
GUIDE**

**ENERGY EFFICIENCY
Service Value - 7.5***

Label Period: 1st July, 2022 to 31st Dec, 2024

Appliance /Type	: Ceiling Fan
Brand	: KÜHL
Model Name/Year	: KÜHL BRISE-E3-1320/2024
Motor Type	: BLDC
Sweep Size (mm)	: 1320 mm
Power Input (watts)	: 30 watts
Air Delivery (cum/min)	: 225 cu m/min

BEE/EN/131449/22

*Under test conditions. When tested in accordance with IS 174:2019 including all amendments. Actual service value may vary as per site conditions.

Kühl BRISE E3



CONTACT US AT:

E-6,7 & 8, Sector-59, Noida, U.P.-201 309, India. Call: 92-789-12345

E-mail: service@kuhl.in or visit us at www.kuhl.in

*T&C Apply. This warranty is only applicable to the products sold in India.