



**User Manual For:**

- Centauri 5
- Centauri 6
- Centauri 8



JUNE 2026

BLDC FAN	SAVES ELECTRICITY	LOW NOISE	HIGH AIRFLOW
Wi-Fi/IoT ENABLED	CHANDELIER LIGHT WITH 3 COLOUR OPTIONS	REVERSE MODE	



# Kühl Centauri Series

Enhance Home Décor with Beautiful BLDC Fans

# Welcome to Kühl

Dear Customer,

Thank you for choosing Kühl BLDC Fans! It is indeed a wise decision as Kühl BLDC Fans are based on the new BLDC technology that offers energy efficiency, high airflow & low noise operation even at a high speed. This feature not only helps to keep your home comfortable but also keeps the electricity bills in check. We believe that customer satisfaction is at the core of our values as each Kühl BLDC Fan is delivered to you after going through an extensive and complete series of testing procedures that examine every area of its operation, effectiveness, and efficiency under various working situations.

Kühl BLDC Fans are here with everything you need from a fan and much more to give you all-round performance. With 1/3rd the energy consumption, it is a pioneer in energy efficiency and brings you world-class comfort. It's time to say goodbye to high electricity bills and be part of the smart future.

Thank you!

Kühl BLDC Fans

# TABLE OF CONTENTS

1. Introduction .....	01
2. Features of Kühl Centauri BLDC Fan Series .....	01-02
3. Know your Remote Control Device .....	03
4. Power Saving & Energy Efficient Guide .....	04
5. Cost Saving Guide .....	04
6. Mounting Recommendation and Maintenance.....	05
7. Safety Guidelines .....	05
8. Assembly Instructions .....	06-17
9. How to Operate Kühl Centauri BLDC Fan Series .....	18
10. How to Operate Remote Control Device .....	18-19
11. Kühl Centauri 5 BLDC Fans are 5-Star Rated by BEE .....	20

# INTRODUCTION

Elegance and high performance are redefined with our range of Centauri Fans, bringing a touch of opulence to your living spaces. Its specially designed super-efficient BLDC motor and aerodynamic technology help save more energy and money. Smart features like Remote Operation, Smartphone Control, Wi-Fi, and Alexa/Voice Enablement add to your convenience. Sculpted with a sleek silhouette and adorned with a stunning chandelier, this fan transforms rooms into unforgettable expressions of beauty. What's more? It keeps you warm during winter with its reverse mode, efficiently circulating warm air to the lower half of the room.

## FEATURES OF YOUR KÜHL CENTAURI BLDC FAN SERIES

- **BLDC Technology for Energy Saving:** Kühl BLDC Fans offer better speed versus torque characteristics. It ensures high dynamic response and efficiency. Thanks to its lack of electrical and frictional losses, it offers long operating life.
- **Highest Air Delivery:** Energy Efficient operation with 35/37/38W Power, 1800/1670/1320 mm Sweep, & high RPM speed to fill every corner of your place with fresh air as per your need. Its higher air force ensures unmatched comfort to every corner of the place.
- **Low Noise:** The low noise operation without compromising the speed limit is one of the most desired features of Kühl BLDC Fans. They operate at low speeds while providing high air flow with low turbulence and minimal windnoise.
- **Chandelier:** Designed to illuminate and elevate your space, Kühl BLDC Fans feature an elegant IoT-enabled chandelier that adds timeless charm to your home, with seamless control via smartphone, remote, Wi-Fi/IoT, or Alexa.
- **One Fan Many Operations:** Kühl BLDC Fans are IoT-enabled, making it efficient and easy to use, Conveniently set to adjust the fan speed, lighting preferences, different modes, set timer, and a lot more via:
  - Remote
  - Alexa/Voice Enabled
  - Smart Phones
  - Wi-Fi/IoT Operated

- **Aerodynamic Blades:** Aerodynamic mic design helps deliver higher airflow and low noise at a low wattage.
- **Reverse Mode:** During winters, when hot air gets stuck at the top of the ceiling. You can switch on the reverse mode for air circulation, so you can feel warm air consistently spread across the place.
- **Attractive Design:** Stylish enough to enhance the look of your place, Kühl BLDC Fans feature decorative trims and a sleek surface that become the centre of attention in any space.
- **5 Star Rated:** All Kühl BLDC Fans are 5 Star Rated that helps bring down the power consumption, thus saving a lot of energy and money.
- **Kühl Mobile Application:** All Kühl BLDC fan models can be seamlessly controlled through a single Kuhl App for convenient and unified operation.
- **Remote Operated:** Eliminates the need of regulators to control the speed of your fans. Just use the battery operated remote to adjust the speed of Kühl BLDC Fans as per your choice.

SPECIFICATIONS	Kühl Centauri 5 (1320 mm)	Kühl Centauri 6 (1670 mm)	Kühl Centauri 8 (1800 mm)
Fan (W)	38	37	35
Chandelier (W)	35	35	35
Sweep (MM)	1320	1670	1800
Max Speed (RPM)	150	126	104
Max Air Delivery (CMM)	250	282	340

# KNOW YOUR REMOTE CONTROL DEVICE

## Remote

- **SPEED SETTING:** Speed varies for five different levels, wherein S1 is the lowest fan speed and S5 is the highest. Press as per your requirement.
- **SLEEP MODE:** Auto speed control for uninterrupted comfortable sleep. Select this setting before going to bed, and the speed will automatically drop to the minimum pace you specify.
- **BUILT-IN TIMER:** You can use timer settings for 1 hour, 4 hours, & 8 hours accordingly.
- **BOOST MODE:** Press this button to accelerate the fan past, its maximum speed directly when it's too hot.
- **REVERSE MODE:** When you put the fan into reverse, it draws air upward. This brings the warmer air near the ceiling back down into lower half of the room, where the people are.



## IoT/Wi-Fi

Please follow the given steps to connect KühL fan to Wi-Fi Network:

- Use a Paired Remote
- Switch ON Fan
- Press & hold "Boost" button
- On remote for 10s
- 2 Beeps indicate success
- Use KühL mobile app for Wi-Fi Pairing

## Voice command/Alexa

### To set up Alexa:

Simply link your Alexa account to the KühL mobile application to setup Alexa with your KühL fan.

## POWER SAVING & ENERGY EFFICIENT GUIDE

Kühl BLDC Fans come with revolutionary and super energy-efficient BLDC motor technology that consumes less energy. Our fans consume only 1/3rd of the power consumed by ordinary fans. Kühl Centauri BLDC Fans Series run on just 35 W at full speed whereas ordinary induction fans run on approx. 75 W.

## COST SAVING GUIDE

Particulars	Induction Fans	Kühl Centauri 5 Fans (1320 mm)	Kühl Centauri 6 Fans (1670 mm)	Kühl Centauri 8 Fans (1800 mm)
Power consumption	75 W	38 W	37 W	35 W
Assumed usage of fan per day (hours)	16 h	16 h	16 h	16 h
Power consumption - KWh Units per day	1.2 kWh	0.60 kWh	0.46 kWh	0.56 kWh
Electricity bill per day @ ₹7/unit	₹8.4	₹4.2	₹3.22	₹3.92
Electricity bill per annum	₹3066	₹1533	₹1175	₹1430
Savings per annum	-	₹1533	₹1891	₹1636
Cost saving (Up to)	-	50%	61%	53%

## MOUNTING RECOMMENDATION & MAINTENANCE

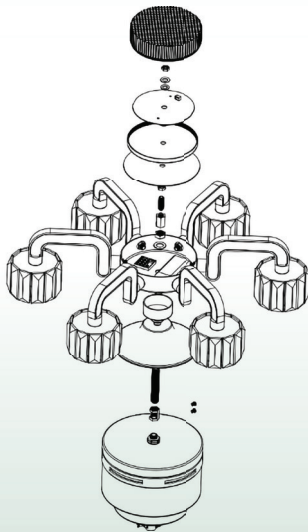
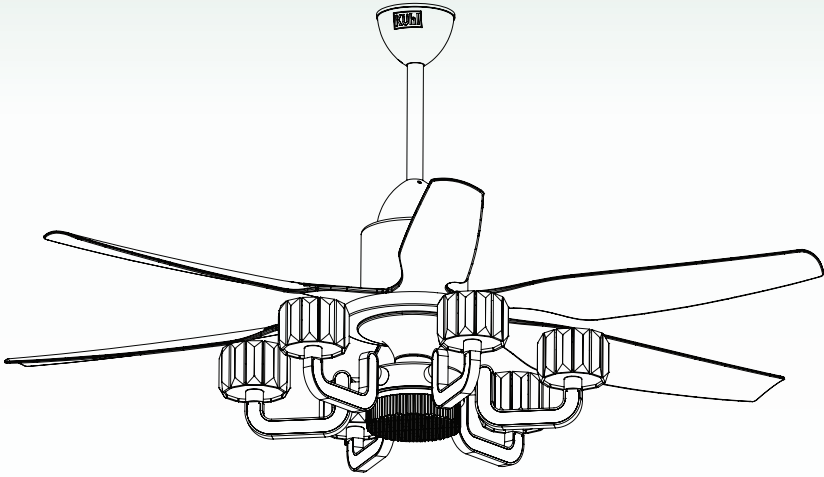
- A minimum height of 2.3 m above the ground is required for mounting the fan. Allow enough room from the ceiling for the high-level cabinet doors to open. At least 0.25 m should separate the blade from the ceiling.
- The horizontal distance from the nearest wall to the blade tip should be around 0.5 times the fan sweep, for example, from 1200 mm, it should be 600 mm.
- There should be a minimum clearance of 2 times the fan sweep between the centres of two fans, for example, 1200 mm should be 2400 mm.
- Turn the fan off before cleaning, to prevent any harm or damage. Be extremely cautious while working around the fan. There is no additional type of maintenance needed except routine dusting. To prevent scratches, use a soft brush or a lint-free cloth. Avoid using solvents, abrasives, or hard detergents.
- To prevent the fan from wobbling or dropping, never exert too much pressure while cleaning the blades. To prevent any inconvenience, frequently check that the nuts, bolts, screws, and washers are in the correct position.

## SAFETY GUIDELINES

**Read the safety guidelines carefully to understand the installation, use, and maintenance.**

- Never place any part of the packaging within the reach of children/differently abled.
- Avoid using moist or damp hands while switching On/Off this appliance.
- Before cleaning and doing other maintenance procedures, be sure to turn off the fan's power supply.
- To prevent mishaps, it is advised to inspect the suspension system of the ceiling fan every six months to ensure that the fasteners are properly fastened

# ASSEMBLY INSTRUCTIONS FOR Kühl CENTAURI BLDC FAN SERIES



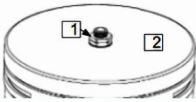
Centauri 5  
Centauri 6  
Centauri 8

With Chandelier Light

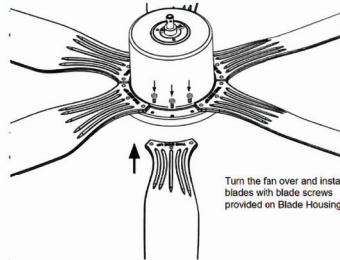
## PART 1: INSTALL BLADES INTO FAN

### Installation of Centauri 6 Blades

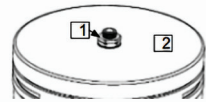
Take the Fan Motor out of Fan box, and Remove the Nuts (1) and Plate (2)



Install Blades into slots



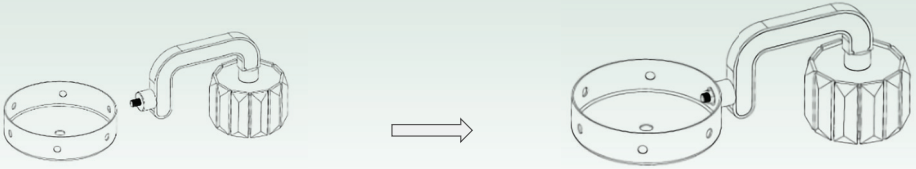
Fix back the Plate (2) and Nuts (1)



## PART 2: CHANDELIER LIGHT ASSEMBLY

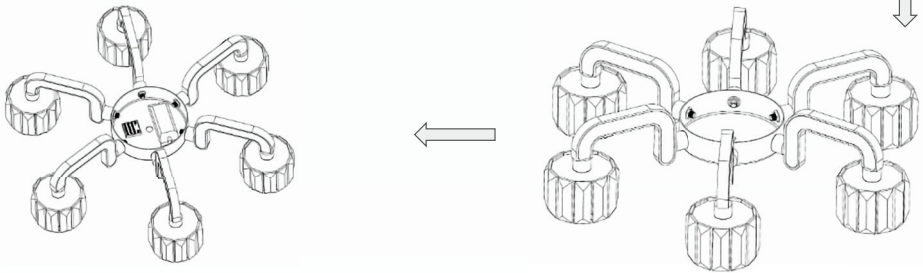
Blades are not shown in Light assembly slides ahead to make the instructions compact. But do ensure to install the blades before starting Light assembly

## Prepare Light Assembly



1. Insert Lamp into 6-holed plate

2. Join with Nut

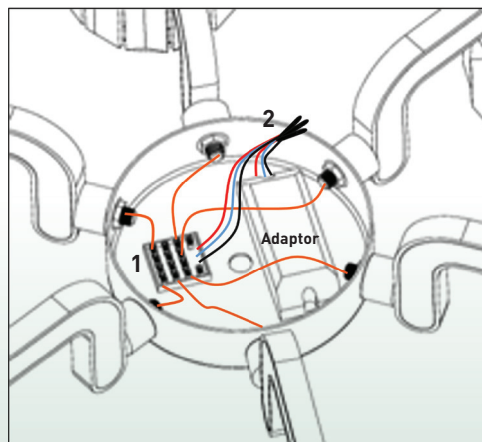


4. Paste the Adapter and Multipin Socket with Double side Tape (from Fan Box)

3. Do the same for all 6 Lamps

## Make Connections

1. Join Lamp wires into Multi-Pin Socket

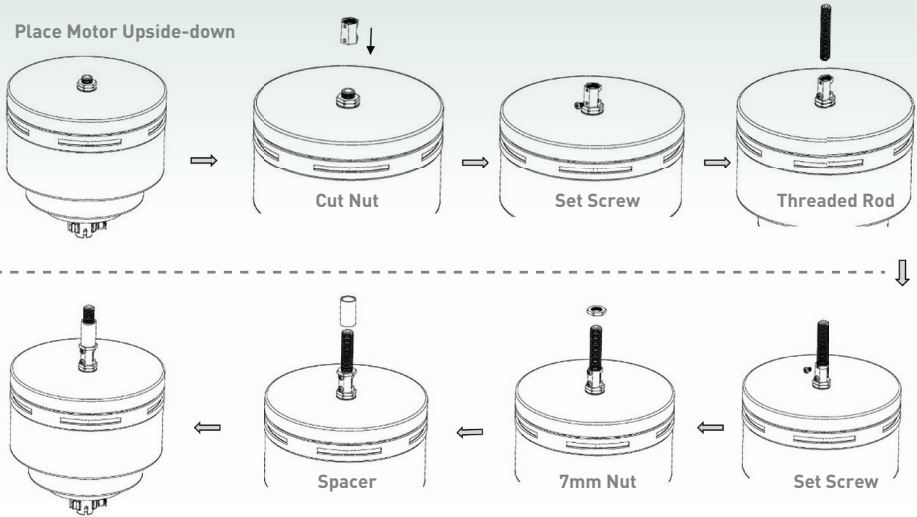


2. Join 3 wires coming out of adaptor to 3 wires coming out of Socket

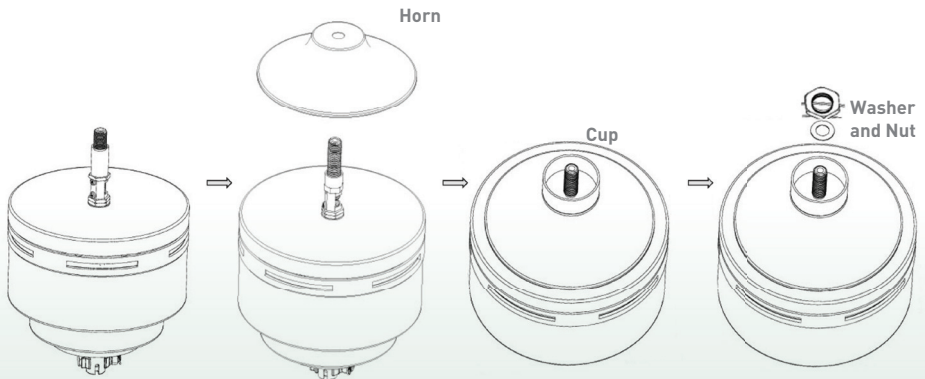
## Threaded Rod Assembly onto Motor

Blades not shown

Place Motor Upside-down

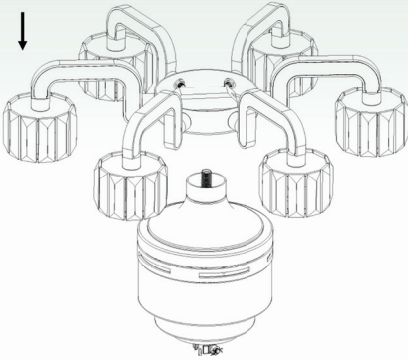


## Assembly of Horn and Cup

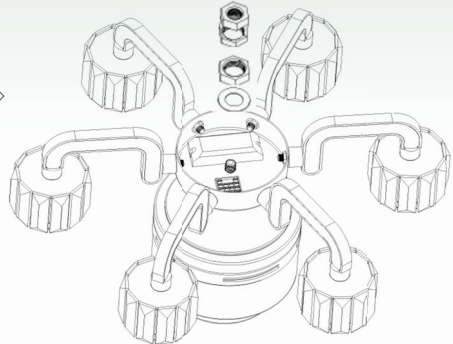


## Main Light Assembly

Place Light Assy on CUP

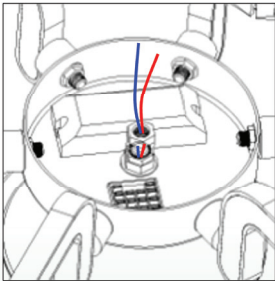


Apply fasteners in shown order

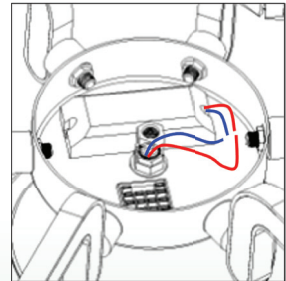
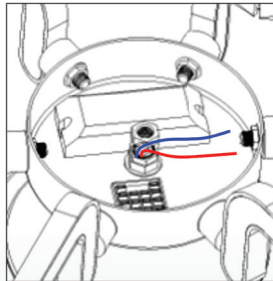


\*\* Not in Centauri 8

## Preparing Supply Wires

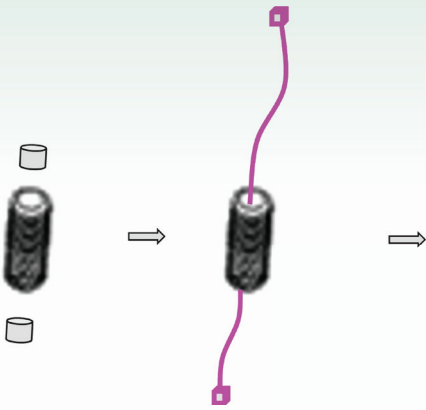


Take out the Light Supply wires sideways through cut of Cut-Nut.

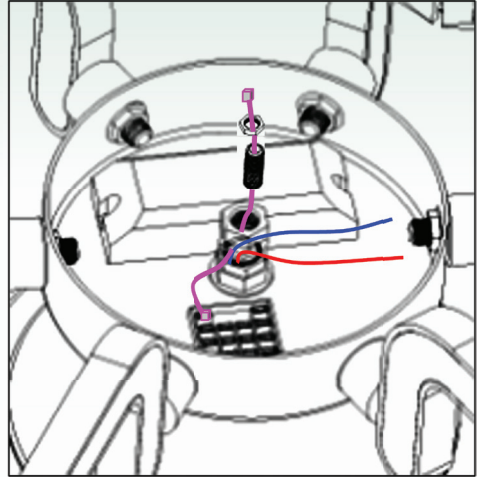


Connect supply wires to the 2-wire tside of Adaptor.

## Preparing Central LED wire

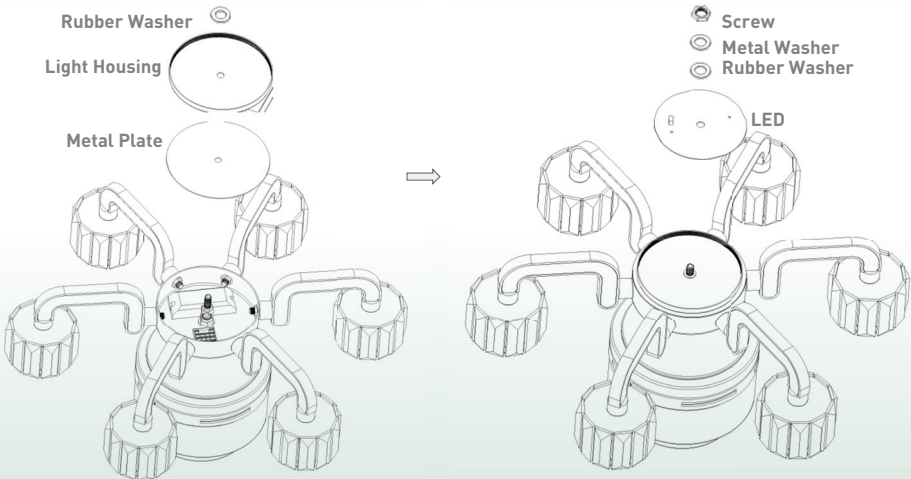


Remove rubber caps from small threaded rod. Take out wire from central LED plate, and pass through threaded rod.



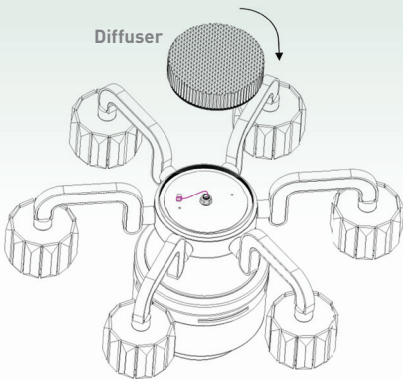
Insert LED wire from top of Cut-Nut, take it out from side of Cut-Nut, and connect into Multipin Socket.

## Central Light Assembly

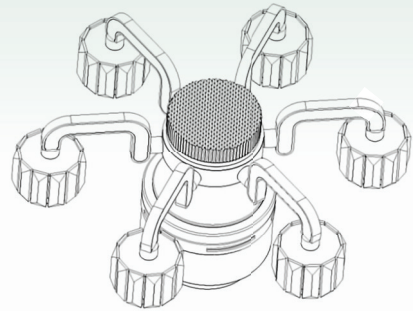


Note: Rubber washers are must to prevent flickering

## Finalisation of Chandelier Light



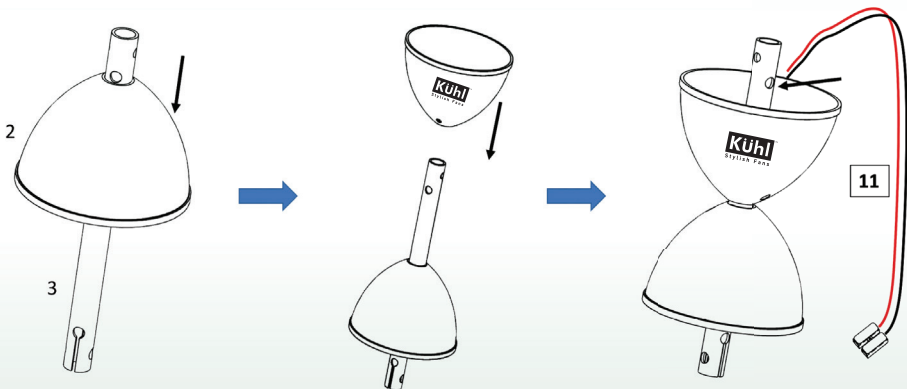
Connect wire into LED and screw-in the Glass Diffuser



Light is Assembled

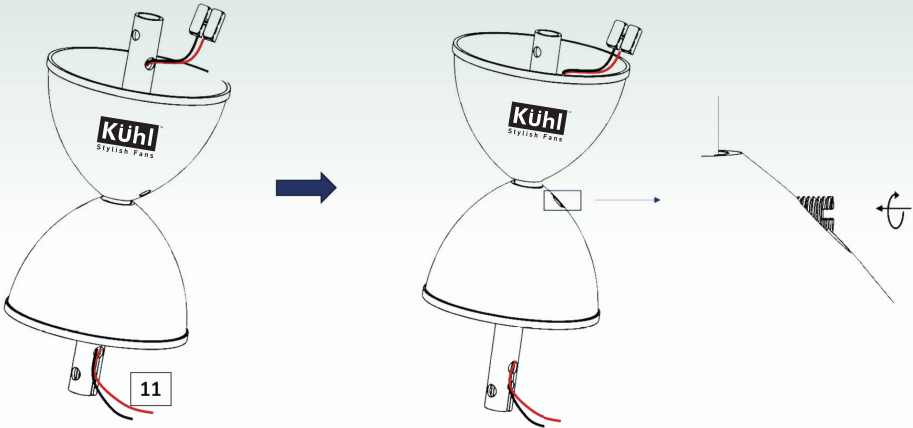
## **PART 3: HANGING THE ASSEMBLED FAN ON ROOF**

### **Step 1. Assemble Down Rod and Canopies**



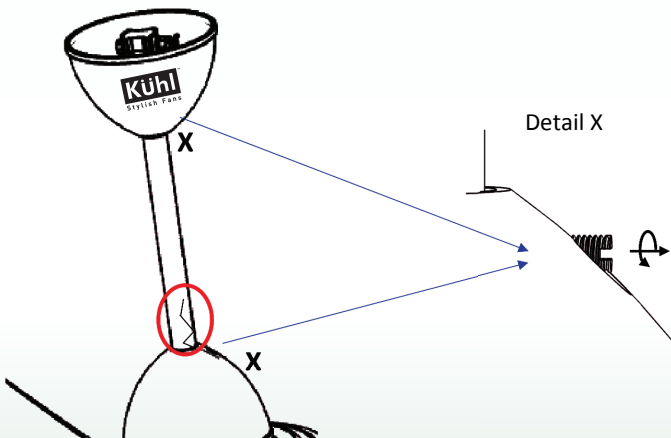
- Insert Bottom Canopy **(2)** from Top end of Downrod **(3)** (no-slit end)
- Insert Top Canopy also from the same end
- Insert Supply Wire provided through the lower one of the Top side holes in Downrod

## Step 2. Insert Supply Wire



- Take the Supply wire (11) out from the slit-end of Downrod 3
- Raise the Canopies up and lock in place by tightening the lower canopy screw

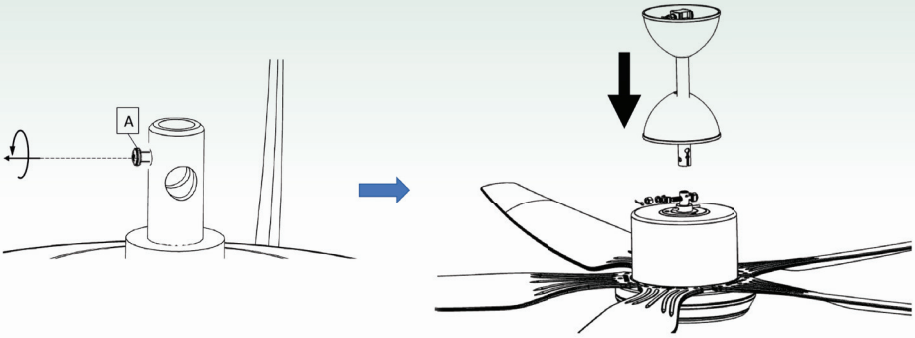
## Caution: Don't move canopy while screw is tightened



With screws X tightened, there can be scratches incurred on Down Rod on movement of canopy.

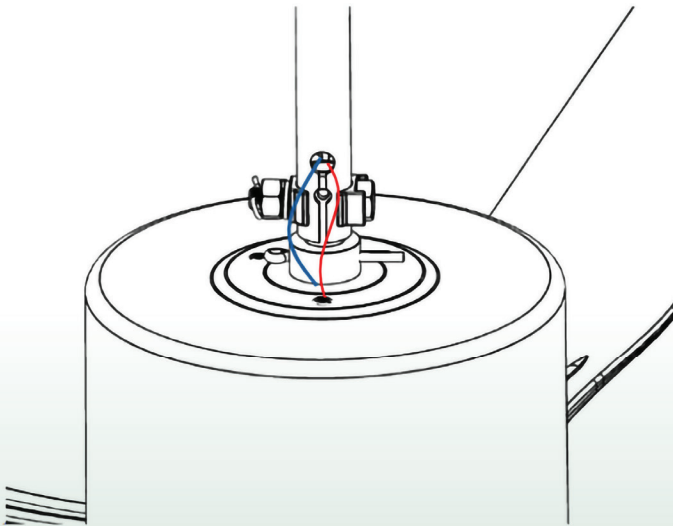
Always loosen the screw before moving the canopy up / down, and re-tighten the screw after desired placement.

### Step 3. Start Down Rod Assembly

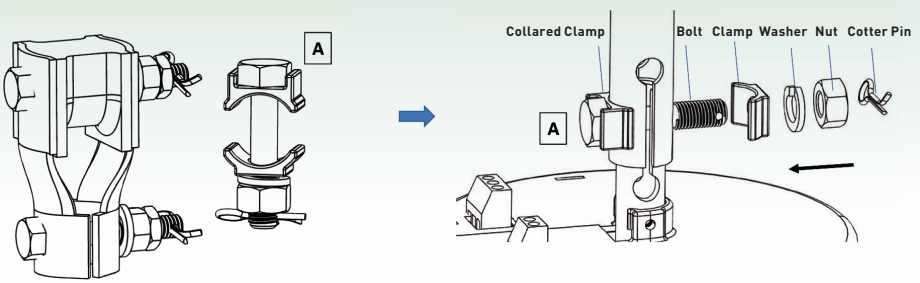


- Unfasten Safety screw **(A)** on shaft
- Place Down Rod **(1)** over Motor Shaft, with slit-end downwards, as shown

### Make Input Electric connection into the Connector coming out of Fan



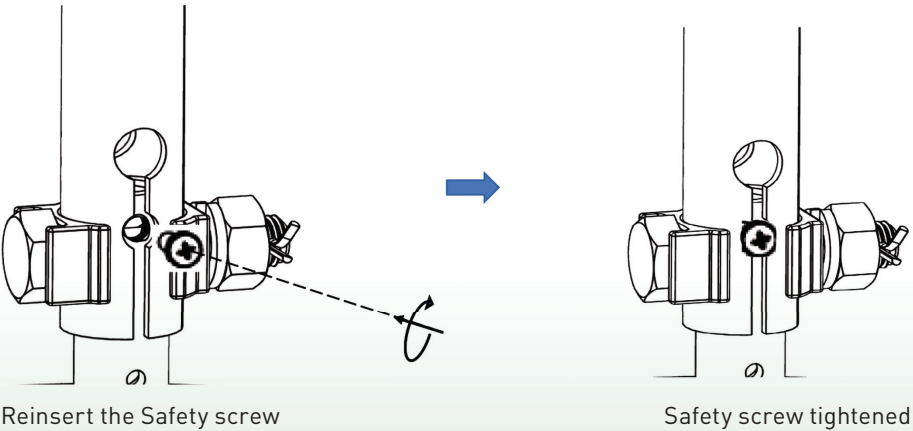
## Step 4. Insert The Down Rod Bolt



Take the Down Rod Bolt **(A)** from Shackle kit Shackle

Insert The Down Rod Bolt with Collared Clamp through Down Rod and Shaft Holes. Assemble other bolt parts.

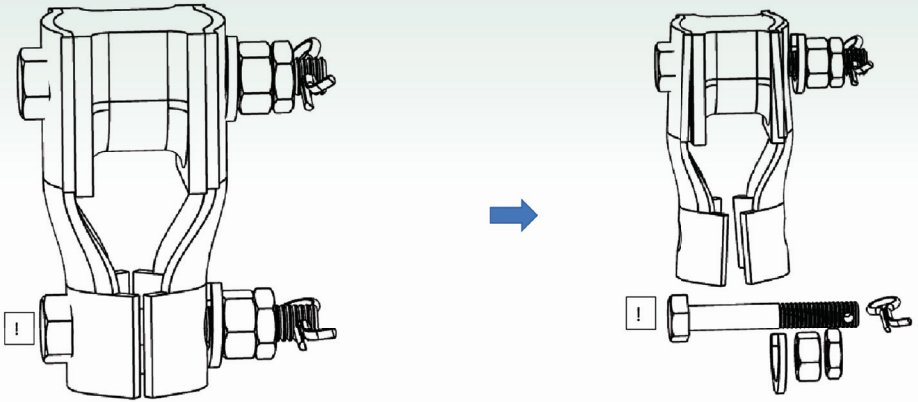
## Step 5. Safety Screw Assembly



Reinsert the Safety screw

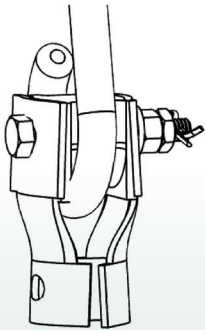
Safety screw tightened

## Step 6. Open Lower Bolt (A) from Shackle

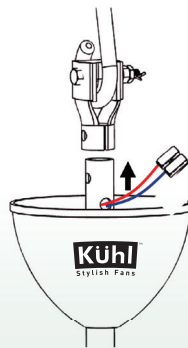


## Step 7. Install Shackle and hang the Fan

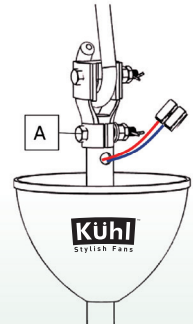
Insert Shackle into Ceiling Hook



Raise Fan to Shackle

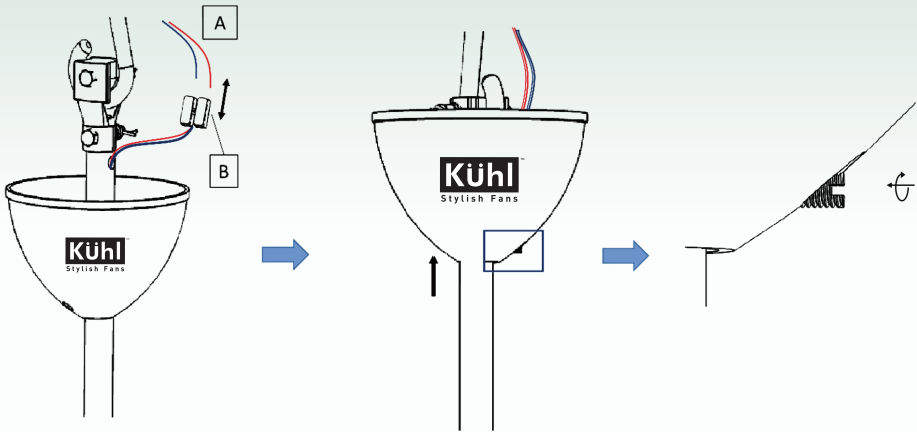


Re-insert Lower Bolt (A)



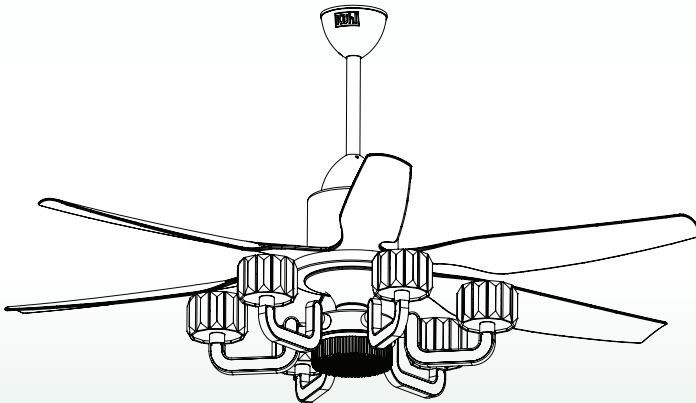
Tighten with Washer, Nut, Lock Nut and Cotter Pin in sequence as written

## Step 8. Connect to Electric supply



- Connect the wires from Main Supply (A) into Fan connector (B)
- Raise the Canopy and tighten the Canopy screw

## ASSEMBLY AND INSTALLATION COMPLETE



**NOTE:** The fan model illustrated in this manual is the Kühl Centauri 6, but the assembly instructions are the same for all other Centauri Series models that is Centauri 5 and Centauri 8 and these fan models have different number of blades.

# How to operate Kühl Centauri BLDC Fan Series

## Important Instructions regarding Regulator:

- You should ask your electrician to bypass the Regulator in Switch Board wiring, Otherwise fan may not operate properly.
- If Fan wiring is already through a Regulator in switch board, then make sure that Regulator is always set at max speed, and any change in speed should be done by Remote.



## How to operate Remote Control Device

### Get the Remote ready.

- Insert 2 Nos. AAA Batteries provided into the Remote Unit's slot provided at back.
- Switch ON the fan from switch board to operate it with Remote as explained hereafter.

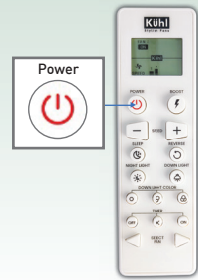
### Pair the Remote with Fan, if not paired already.

- Press POWER button on Remote to start BLDC Fan.
- In case the fan starts running, your Remote is already paired.
- However if the fan does not run, the remote requires pairing with Fan. Do the following:
- Switch OFF the fan from switch on the wall, and Switch it ON again.
- Within 45 sec of switch ON, press the POWER button on Remote and keep it pressed for 10 sec. You'll hear a double beep. The fan is now paired and can be operated with remote.



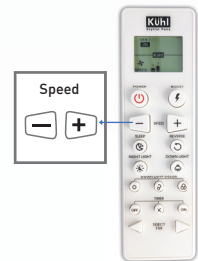
## Power ON/OFF Button

- Press POWER button on Remote to start BLDC Fan.
- Beep sound will indicate that it is switched ON.
- Press power button again to switch OFF/ON the BLDC Fan.
- BLDC fan always re-starts at last Switch OFF speed.
- In case there is a power failure, the fan will automatically restart at previous speed.
- If you want to switch off the fan during power failure, you have to switch it off from the Main board switch in wall, as remote is not operational without Power.
- It is recommended to switch off the fan from wall mounted switch when going out of home.



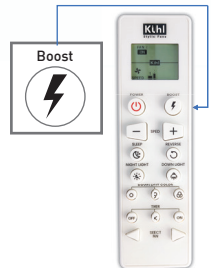
## Speed Buttons

- KÜHL BLDC Fans comes with five different speed settings. You can control the speed, with the help of the (-) & (+) buttons. For instance, to decrease the speed press (-) and vice – versa.



## Boost Button

- If you want to run the BLDC fan at maximum speed Press BOOST button on Remote. A beep will confirm the action.



## Down Light Button

- To turn on the down light, press the DOWN LIGHT button from the fan remote, as soon as you press it, the down light of the fan will turn on.
- Pressing DOWN LIGHT button again will change the colour of Light. Pressing yet again will again change the colour of light to third Light mode. Pressing once again will switch Off the Light.



# Kühl Centauri 5 BLDC Fan is 5-Star Rated by BEE

**POWER SAVINGS GUIDE**

**ENERGY EFFICIENCY**  
**Service Value - 6.6\***  
Label Period: 1<sup>st</sup> Jan, 2026 to 31<sup>st</sup> Dec, 2028

Appliance /Type	: Ceiling Fan
Brand	: KUHL
Model Name/Year	: KUHL CENTAURI 5-1320/2026
Motor Type	: BLDC
Sweep Size (mm)	: 1320 mm
Power Input (watts)	: 38 watts
Air Delivery (cum/min)	: 250 cum/min

BEEKEN/1300466/22

\*Under test conditions. When tested in accordance with IS 374:2019 including all amendments  
Actual service value may vary as per site conditions.

## Kühl CENTAURI 5 (1320 mm)



**CONTACT US AT:  
KENT RO SYSTEMS LTD.**

E-6, Sector-59, Noida, U.P. - 201 309, India. Call: 92-789-12345  
E-mail: [service@kuhl.in](mailto:service@kuhl.in) or visit us at [www.kuhl.in](http://www.kuhl.in)