

# BLDC TABLE FAN

## Kühl INSPIRA T1

• BLDC TECHNOLOGY  
SAVES ELECTRICITY

• HIGH AIRFLOW  
5 BLADES

• TOUCH SCREEN  
CONTROL PANEL

• LOW NOISE  
(SILENT OPERATION)

• REMOTE  
CONTROLLED

• DIGITAL  
SPEED DISPLAY



User Manual

# Welcome to **Kühl**

Dear Customer,

Thank you for choosing **Kühl Stylish Fans**. These fans offer high speed fast cooling with low noise and low electricity bills, thanks to the cutting-edge BLDC technology.

We prioritize customer satisfaction, ensuring each **Kühl Stylish Fan** undergoes rigorous testing across all aspects of its operation, effectiveness, and efficiency. Our comprehensive testing procedures evaluate its performance under diverse working conditions, guaranteeing a product that exceeds expectations.

**Kühl Inspira BLDC Fan** enhances the experience of a table fan with BLDC technology and low noise function. Despite their stylish appearance, they consume just 1/3 energy. Say goodbye to high electricity bills and embrace a smarter future with **Kühl Stylish Fans**.

Thank you!

Kühl Stylish Fans

# TABLE OF CONTENTS

1. Introduction .....	01
2. Features of Kühl Inspira T1 BLDC Table Fan .....	01
3. Items in the Box .....	02
4. Know your Remote Control Device .....	03
5. Power Saving & Energy Efficient Guide .....	03
6. Cost Saving Guide .....	04
7. Safety Guidelines .....	04
8. Assembly Instructions .....	05
9. How to Operate Remote Control Device .....	08

## Introduction

With its focus on functionality and efficiency, Kühl Inspira Fans redefines the table fan experience. Enjoy high-speed cooling, low noise operation, and energy efficiency, thanks to advanced BLDC technology. Unlike traditional fans, Kühl Inspira Fans consume just 1/3 of energy while delivering high air flow, making it the choice for your home. Immerse yourself in comfort and style with a blend of modern features and a sleek finish, elevating both functionality and style in your living space.





## Features of Your Kühl Inspira T1 BLDC Table Fan

- 1. BLDC Technology for Energy Saving:** Kühl Stylish Fans offer better speed versus torque characteristics. It ensures high dynamic response and efficiency. Thanks to its lack of electrical and friction losses, it offers long operating life and ensures one more step towards building a sustainable future.
- 2. Highest Air Delivery:** Energy efficient operation with around 28 W power, 400 mm sweep, & 1200 RPM speed to fill every corner of your place with fresh air as per your need. Its higher air force ensures unmatched comfort in every corner of the place.
- 3. Low Noise:** A low noise operation without compromising speed limit is one of the most desired features of Kühl Stylish Fans. They operate at low speeds while providing high air flow with low turbulence and minimal wind noise.
- 4. Remote Operated:** Kühl Inspira T1 BLDC Table Fan is remote operated, conveniently adjusts the fan speed, set timer, swing, or sleep mode.
- 5. Oscillation:** The Kühl Inspira T1 BLDC Table Fan features dynamic swing capabilities, effortlessly dispersing air to every corner of your space. Its smooth side-to-side motion ensures comprehensive airflow coverage, optimising comfort throughout the room.

6. **Tilt Mechanism:** The Kühl Inspira T1 BLDC Table Fan is equipped with a versatile tilt mechanism, enabling you to effortlessly adjust the fan's angle up or down to achieve your desired airflow direction. This convenient feature ensures that you can easily set and maintain the perfect airflow for your comfort.
  
7. **Attractive Design:** Stylish enough to enhance the look of your place, Kühl Stylish Fans feature decorative trims and a sleek surface that become the centre of attention in any space.

SPECIFICATION	Kühl Inspira T1 BLDC Table Fan
Power (W)	28
Sweep (mm)	400
Air Delivery (CMM)	77
Speed in RPM at 5 <sup>th</sup> position	1200

## Items in the Box

Motor cum pedestal unit	1 N	
Blade	1 N	
Front and Rear Gaurd	1 N	
Remote	1 N	

## Know your Control Device

- **POWER ON/OFF:** Press this to switch ON and OFF the Table Fan.
- **SPEED SETTINGS:** Speed varies for five different levels, wherein S1 is the lowest fan speed and S5 is the highest. Press as per your requirement.
- **SWING MODE:** Press this button to oscillate the fan from side to side.

## Power Saving & Energy Efficient Guide

Kühl Stylish Fans come with revolutionary and super energy-efficient BLDC motor technology that consumes less energy. Our fans consume only 1/3 of the power consumed by ordinary fans. Kühl Stylish Fans run on just 28 W at full speed whereas ordinary table fans run at 75 W.

## Cost Saving Guide

	Ordinary Table Fans	Kühl Inspira T1 Table Fan
Assumed usage of fan per day (hours)	16 h	16 h
Power consumption*	75 W	28 W
Power consumption – KWh Units per day	1.2 KWh	0.44 KWh
Electricity bill per day @ ₹ 7/unit	₹8.4	₹3.08
Electricity bill per annum	₹3066	₹1124
Savings per annum	-	₹1942
Cost saving	-	63%

\*Ordinary table fan runs between the range of 50-100 W.

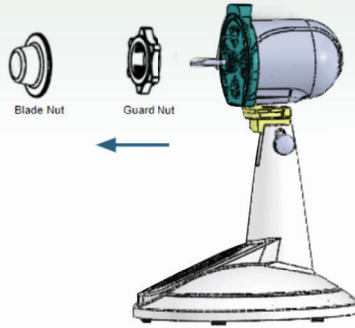
## Safety Guidelines

Read the safety guidelines carefully to understand the installation, use, and maintenance.

1. Never place any part of the packaging within the reach of children/differently abled.
2. Avoid using moist or damp hands while switching ON/OFF this appliance.
3. Before cleaning and doing other maintenance procedures, be sure to turn OFF the fan's power supply.
4. To prevent mishaps, it is advised to inspect the suspension system of the ceiling fan every six months to ensure that the fasteners are properly tight.

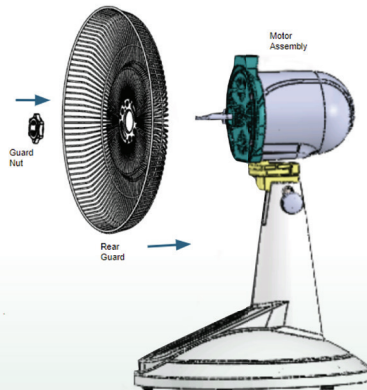
# Assembly Instructions

**Step 1. For Motor Assembly, unscrew the Guard Nut and Blade Nut.**



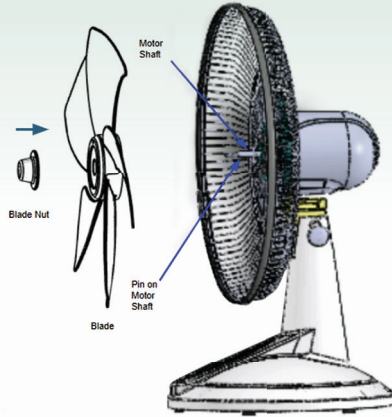
Blade nut has to be unscrewed turning clockwise and rear guard nut by turning it anti-clockwise.

**Step 2. Assemble the Rear Guard onto Motor Assembly.**



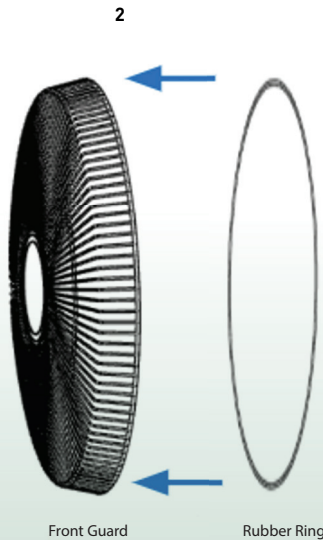
There are 3 pins on motor and 3 holes on guard.  
The holes have to be inserted into the pins. Thereafter tighten with guard nut.

### Step 3. Assemble the Blade onto the Motor Shaft.

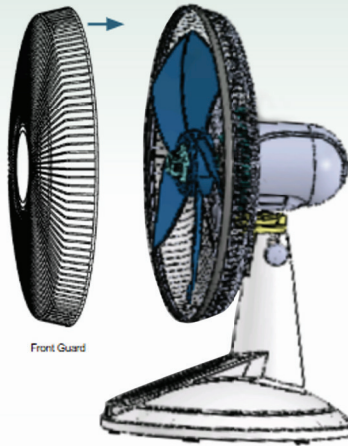


Take care of the slots in blade hub inserted onto the pin on the motor shaft. Finally re-tighten the blade nut turning it anti-clockwise.

### Step 4 Insert The Plastic Ring onto the Front Guard.

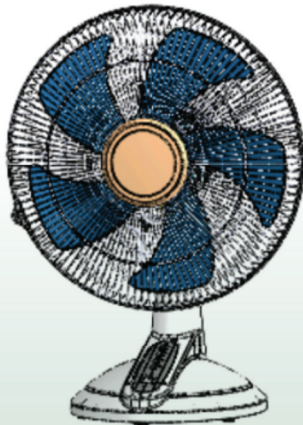


**Step 5. Assemble the Front Guard onto Rear Guard.**



Assemble the front guard onto rear guard by stretching and overlapping the plastic ring over rear guard.

**Step 6. Assembled Table Fan.**



## How to operate Remote Control Device

Get the Remote ready.

- Insert 2 AA batteries into the remote unit's slot provided at the back.
- Switch ON the fan from the switch board to operate it with remote as explained hereafter.

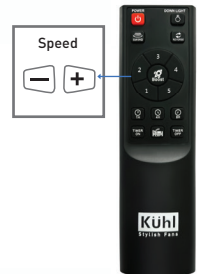
### Power ON/OFF Button

- Press power button on the remote to start the BLDC fan. Beep sound will indicate that it is switched ON.
- Press power button again to switch OFF/ON the BLDC fan.
- BLDC fan always re-starts at last switch OFF speed.
- In case there is a power failure, the fan will automatically restart at previous speed.
- If you want to switch OFF the fan during power failure, you must switch it OFF from the main board switch, as the remote is not operational without power.
- It is recommended to switch OFF the fan from the main switch when going out of home.



### Speed Buttons

- Kühl Inspira T1 BLDC Table Fan comes with five different speed settings. You can control the speed, with the help of the (-) & (+) buttons. For instance, to decrease the speed press (-) and vice-versa.





**CONTACT US AT:**

E-6,7 & 8, Sector-59, Noida, U.P.-201 309, India. Call: 92-789-12345  
E-mail: [service@kuhl.in](mailto:service@kuhl.in) or visit us at [www.kuhl.in](http://www.kuhl.in)