

Kühl[®]
BLDC Fans



USER MANUAL

APRIL 2025

BLDC
FAN

ENERGY
EFFICIENT

LOW
NOISE

IS 374

CML- 8800112515



KÜHL LUXUS
STYLISH FANS FOR MODERN HOMES

Welcome to Kühl

Dear Customer,

Thank you for choosing Kühl BLDC Fans! It is indeed a wise decision as Kühl BLDC Fans are based on the new BLDC technology that offers energy efficiency, high airflow & low noise operation even at a high speed. This feature not only helps to keep your home comfortable but also keeps the electricity bill in check. We believe that customer satisfaction is at the core of our values as each Kühl BLDC Fan is delivered to you after going through an extensive and complete series of testing procedures that examine every area of its operation, effectiveness, and efficiency under various working situations.

Kühl BLDC Fans are here with everything you need from a fan and much more to give you all-round performance. With 1/3 the energy consumption, it is a pioneer in energy efficiency and brings you world-class comfort. It's time to say goodbye to high electricity bills and be part of the smart future.

Thank you!

Kühl BLDC Fans

TABLE OF CONTENTS

1. Introduction.....	4
2. Features of Kühl Luxus BLDC Fan.....	4-5
3. Items in the Box	6
4. Know your Remote Control Device.....	7
5. Power Saving & Energy Efficient Guide.....	8
6. Cost Saving Guide	8
7. Mounting Recommendations & Maintenance	9
8. Safety Guidelines	9
9. Assembly Instructions	10-22
10. How to operate Kühl Luxus BLDC Fan	22
11. How to Operate Remote Control Device	23-24

INTRODUCTION

Enhance the style quotient of your home with the much awaited wow-factor and make it more amazing than ever with the Kühl Luxus Series Fans. To make your homes aesthetically more appealing, it comes with Night & Down light, which not only adds a stylish touch to your interiors but also makes a powerful statement in any indoor space. Despite these fancy features, Kühl Luxus Fans work on 38/29 W power, saving up to as much as 65% electricity. The Kühl Luxus C5 is not just functionally powerful but also beautiful, making it a must to enhance the aesthetic appeal of your home.

FEATURES OF YOUR KÜHL LUXUS FAN


- **BLDC Technology for Energy Saving:** Kühl BLDC Fans offer better speed versus torque characteristics. It ensures high dynamic response and efficiency. Thanks to its lack of electrical and friction losses, it offers long operating life and ensures one more step towards building a sustainable future.
- **Highest Air Delivery:** Energy efficient operation with around 38/29 W Power, 1320/1200 MM Sweep, & high RPM speed to fill every corner of your place with fresh air as per your need. Its higher air force ensures unmatched comfort to every corner of the place.
- **Low Noise:** The low noise operation without compromising the speed limit is one of the most desired features of Kühl BLDC Fans. They operate at low speeds while providing high airflow with low turbulence and minimal wind noise.
- **Down & Night Light:** Designed to add light and enhance the ambience of your space, Kühl BLDC Fans exudes sheer elegance with its Down & Night light that can be operated together or individually.
- **One Fan Many Operations:** Kühl BLDC Fans are IoT-enabled, making it efficient and easy to use. Conveniently set to adjust the fan speed, lighting preferences, different modes, set timer, and a lot more via:

- Remote
- Smartphones
- Alexa/Voice Enabled
- Wi-Fi/IoT Operated

- **Aerodynamic Blades:** Aerodynamic design helps deliver higher airflow and low noise at a low wattage.
- **Reverse Mode:** During winters, when hot air gets stuck at the top of the ceiling, you can switch on the reverse mode for air circulation, so you can feel warm air consistently spread across the place.
- **Attractive Design:** Stylish enough to enhance the look of your place, Kühl BLDC Fans feature decorative trims and a sleek surface that become the centre of attention in any space.
- **5 Star Rated:** All Kühl BLDC Fans are 5 Star Rated that helps bring down the power consumption, thus, saving a lot of energy and money

SPECIFICATION	Kühl Luxus C5 (1320 mm)	Kühl Luxus C5 (1200 mm)
Max Power (W)	38	29
Sweep (MM)	1320	1200
Max Speed (RPM)	150	179
Max Air Delivery (CMM)	250	172

Items in the box

Fan Unit Assembly	1 N	
Canopies	2 N	
Down Rod	1 N	
Shackle	1 N	
Down Rod Bolt	1 N	
LED Light Assembly	1 N	
Blades	5 N	
Fan Remote	1 N	
Pencil Cell AAA	2 N	
Supply Wires	1 N	
Warranty Card	1 N	

Know your Control Device

Remote

- **SPEED SETTINGS:** Speed varies for five different levels, wherein S1 is the lowest fan speed and S5 is the highest. Press as per your requirement.
- **SLEEP MODE:** Auto speed control for uninterrupted comfortable sleep. Select this setting before going to bed, and the speed will automatically drop to the minimum pace you specify.
- **BUILT-IN TIMER:** You can use timer settings for 1 hour, 4 hours, & 8 hours accordingly.
- **BOOST MODE:** Press this button to accelerate the fan past, its maximum speed directly when it's too hot.
- **REVERSE MODE:** When you put the fan into reverse, it draws air upward. This brings the warmer air near the ceiling back down into lower half of the room, where the people are.



IoT/Wi-fi

Please follow the given steps to connect KühL fan to Wi-Fi Network:

- Use a Paired Remote.
- Switch ON Fan.
- Press & hold "Boost" button.
- On remote for 10s.
- 2 Beeps indicate success.
- Use KühL mobile app for Wi-Fi Pairing.

Voice command/Alexa

To set up Alexa:

Simply link your Alexa account to the KühL mobile application to setup Alexa with your KühL fan.

Power Saving & Energy Efficient Guide

Kühl BLDC Fans come with revolutionary and super energy-efficient BLDC motor technology that consumes less energy. Our fans consume only 1/3rd of the power consumed by induction fans. Kühl BLDC Fans run on just 38/29 W at full speed whereas induction fans run on approx. 75 W.

Cost Saving Guide

	Induction Fans	Kühl Luxus Fans (C5 1320 mm)	Kühl Luxus Fans (C5 1200 mm)
Power consumption	75 W	38 W	29 W
Assumed usage of fan per day (hours)	16 h	16 h	16 h
Power consumption – KWh Units per day	1.2 kWh	0.60 kWh	0.46 kWh
Electricity bill per day @ Rs 7/unit	Rs 8.4	Rs 4.2	Rs 3.22
Electricity bill per annum	Rs 3066	Rs 1533	Rs 1175
Savings per annum	-	Rs 1533	Rs 1891
Cost saving (Up to)	-	50%	61%

Mounting Recommendations & Maintenance

- A minimum height of 2.3 m above the ground is required for the fan's mounting. Allow enough room from the ceiling for the high-level cabinet doors to open. At least 0.25 m should separate the blade from the ceiling.
- The horizontal distance from the nearest wall to the blade tip should be around 0.5 times the fan sweep, for example, from 1320 MM, it should be 660 MM.
- There should be a minimum clearance of 2 times the fan sweep between the centers of two fans, for example, 1320 MM should be 2640mm.
- Turn the fan off before cleaning, to prevent any harm or damage. Be extremely cautious while working around the fan. There is no additional type of maintenance needed except routine dusting. To prevent scratches, use a soft brush or a lint-free cloth. Avoid using solvent, abrasive, or hard detergent.
- To prevent the fan from wobbling or dropping, never exert too much power while cleaning the blades. To prevent any inconvenience, frequently check that the nuts, bolts, screws, and washers are in correct position.

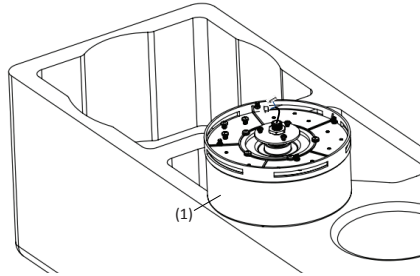
Safety Guidelines

Read the safety guidelines carefully to understand the installation, use, and maintenance.

- Never place any part of the packaging within the reach of children/differently abled.
- Avoid using moist or damp hands while switching ON/OFF this appliance.
- Before cleaning and doing other maintenance procedures, be sure to turn off the fan's power supply.
- To prevent mishaps, it is advised to inspect the suspension system of the ceiling fan every six months to ensure that the fasteners are properly tight.

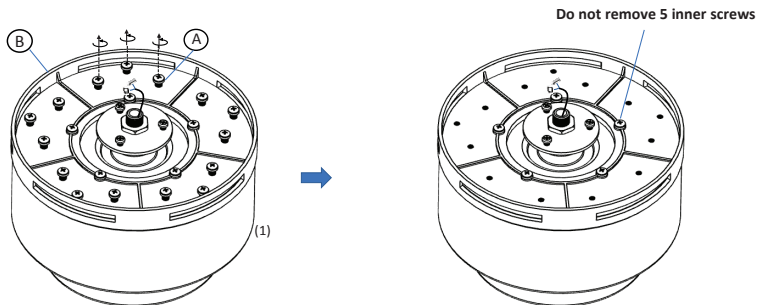
ASSEMBLY INSTRUCTIONS KÜHL LUXUS SERIES FAN

STEP 1 : PLACE FAN UNIT FOR ASSEMBLY



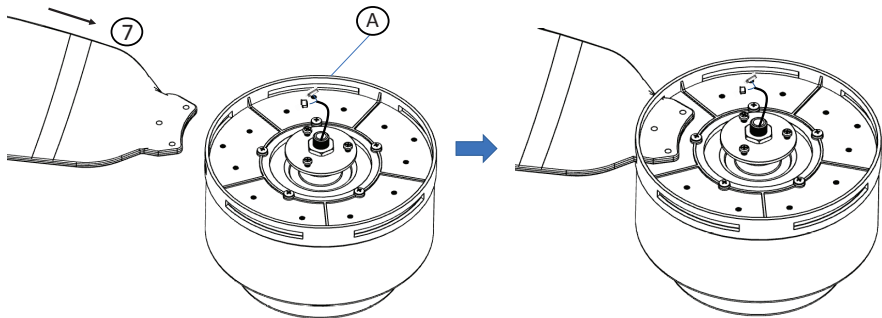
Place Fan Unit Assembly (1) in Reverse on Packing Thermocol, as shown

STEP 2 : REMOVE BLADE SCREWS



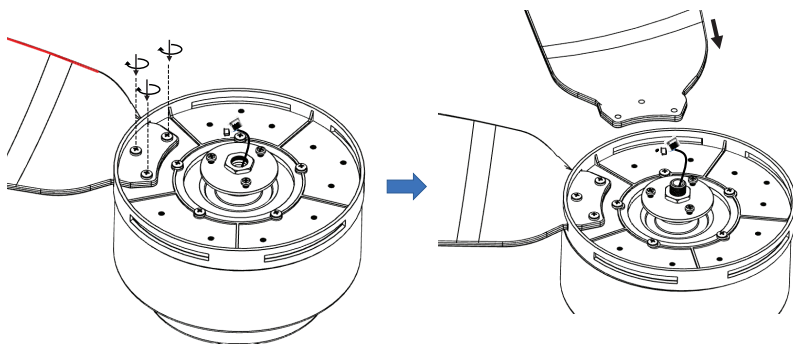
Remove 15 outer screws (A) from Blade Housing (B)

STEP 3A. ASSEMBLE BLADE



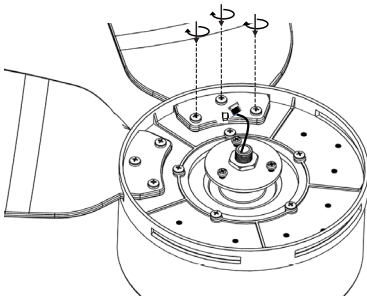
Bring 1st Blade (7) inwards through the slot in Blade Housing (A) and align with 3 nos screw holes.

STEP 3B. ASSEMBLE BLADE

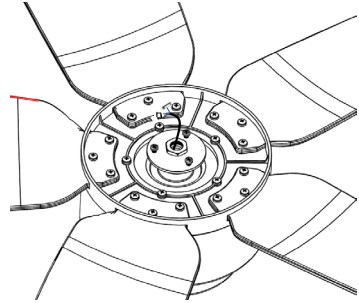


Tighten Blade with 3 screws removed earlier Bring in 2nd Blade through next slot

STEP 4. ASSEMBLE ALL BLADES

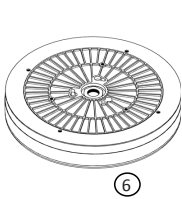


Assemble 2nd Blade also

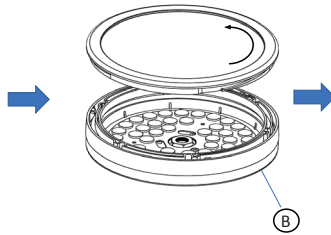


Similarly assemble all blades

STEP 5. OPEN LED LIGHT



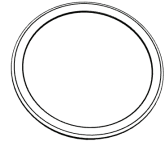
Light Unit ⑥



- Flip Light Unit Upside Down
- Hold Bottom half, and turn Upper half (Diffuser) Anti-clockwise



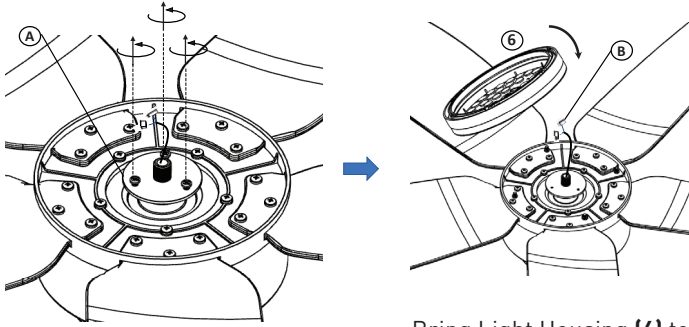
Housing



Diffuser

The Light Unit will open in Two parts, Housing and Diffuser

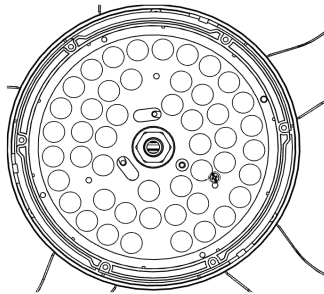
STEP 6. PLACE LIGHT UNIT ON FIXING PLATE OF FAN UNIT ASSEMBLY



Remove 3 nos Screws of fixing plate **(A)**

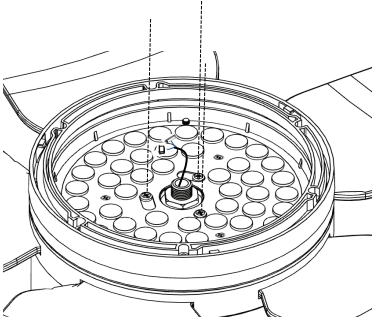
Bring Light Housing **(6)** to Fan Unit.
Take out the Wire **(B)** through Light Housing centre hole.

STEP 7. ALIGN THE LIGHT UNIT HOLES WITH SCREW HOLES ON FIXING PLATE



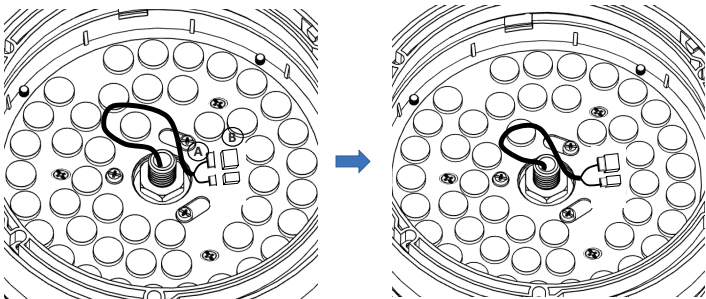
Rotate and Adjust the Light unit to ensure that all three Screw Holes are aligned for screw insertion and tightening.

STEP 8. FIX LIGHT HOUSING ON FIXING PLATE WITH SCREWS



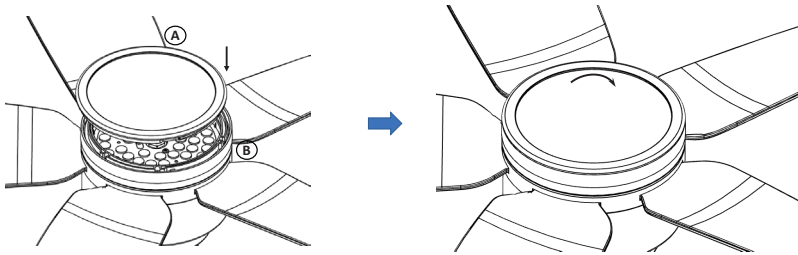
Fix LED Housing on Fixing plate with the 3 screws opened before

STEP 9. CONNECT WIRE-CONNECTORS FROM FAN UNIT INTO LED-DISK CONNECTORS



Insert the 3-Pin and 2-pin Wire connectors **(A)** from Fan Unit shaft into respective connector sockets **(B)** on LED Plate.

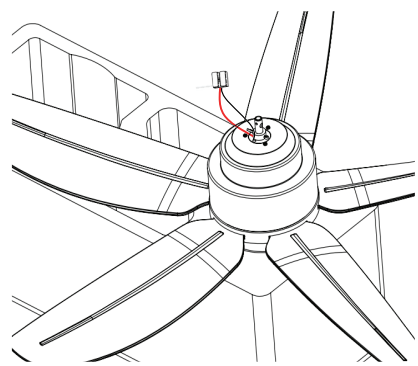
STEP 10. ASSEMBLE THE DIFFUSER



Re-install Diffuser **(A)** by bringing it over Light Housing **(B)**.

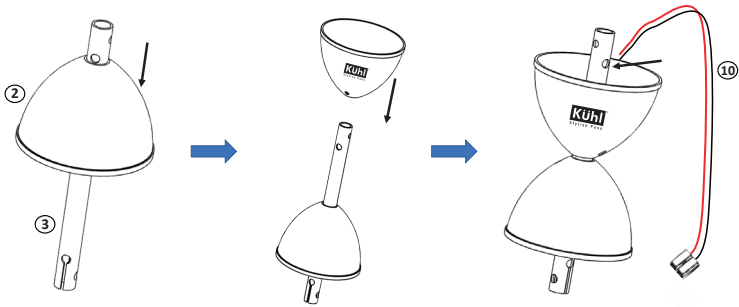
Rotate Diffuser on Light Housing Clockwise till Diffuser locks with a Click.

STEP 11. PLACE THE FAN IN UPRIGHT POSITION



Flip the fan and place it in Upright Position over Thermocol packing.

STEP 12. ASSEMBLE DOWN ROD AND CANOPIES

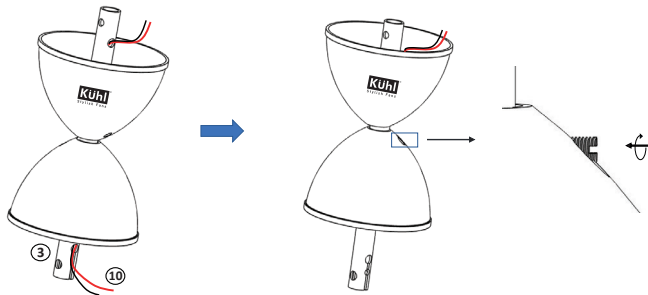


Insert Bottom Canopy
(2) from Top end of Down rod
(3) (no-slit end)

Insert Top Canopy
also from same end

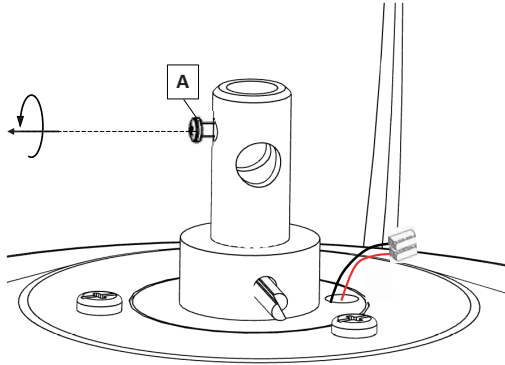
Insert Supply Wire provided
through the lower one of the
Top side holes in Down rod

STEP 13. INSERT SUPPLY WIRE



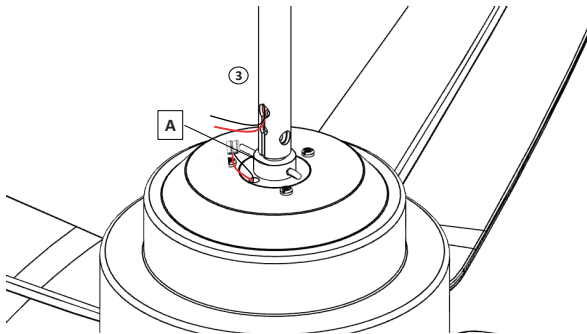
Take the Supply wire **(10)** out from the slit-end of Down rod **(3)**

STEP 14A. PREPARE FOR DOWN ROD ASSEMBLY



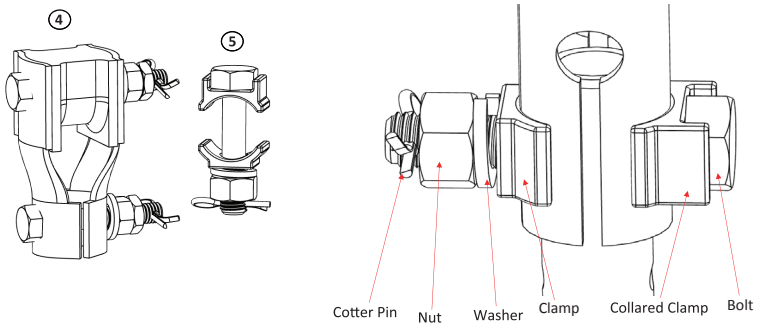
Unfasten Safety screw **A** on shaft

STEP 14B. PLACE THE DOWN ROD OVER FAN SHAFT



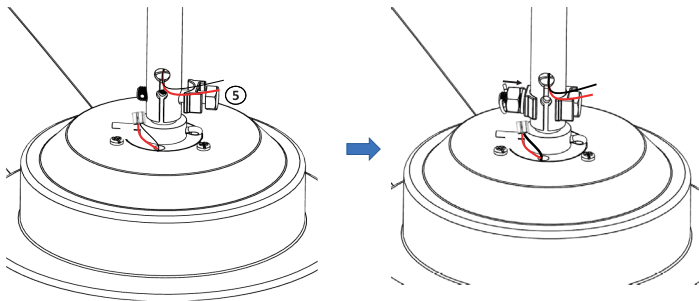
Insert the Down rod **3** on Fan Shaft

The Down Rod Bolt



Take the Down Rod Bolt **(5)** from Shackle kit **(4)**

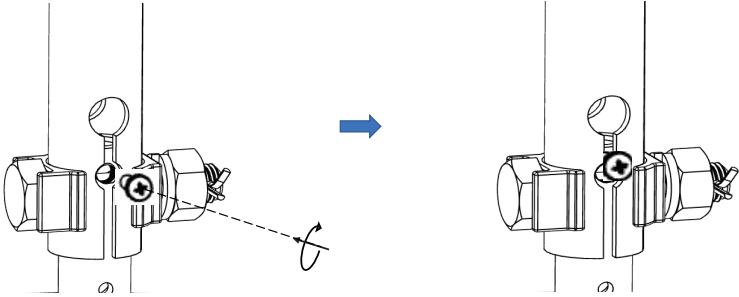
STEP 15A. INSERT THE DOWN ROD BOLT



Insert The Down Rod Bolt **(5)** with Collared Clamp through Down Rod and Shaft Holes.

Tighten the Down Rod Bolt and insert Cotter Pin.

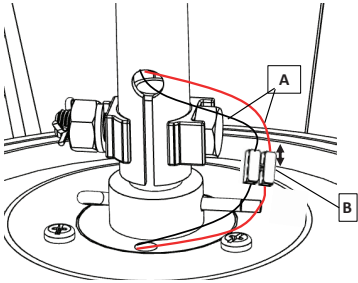
STEP 15B. DOWN ROD ASSEMBLY



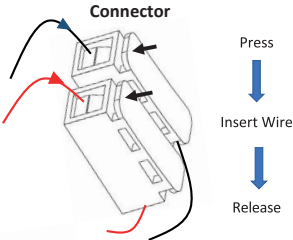
Reinsert the Safety screw

Safety screw tightened

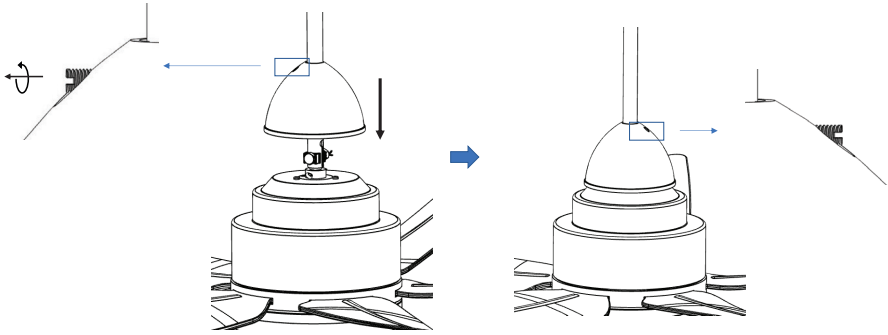
STEP 16. MAKE ELECTRICAL WIRE CONNECTION



Wire Connection Method

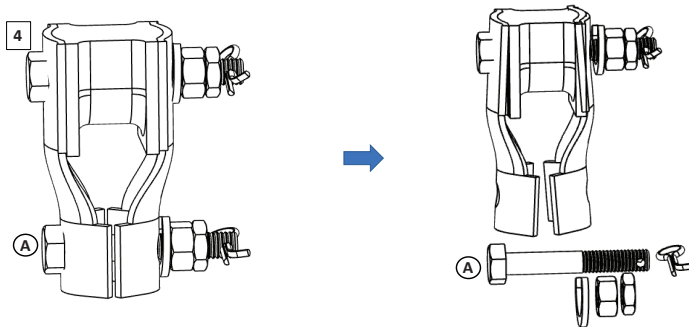


STEP 17. BRING LOWER CANOPY DOWN



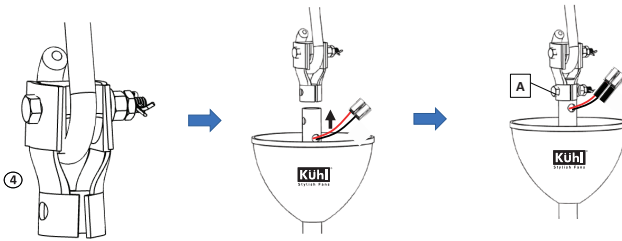
Loosen The Canopy Screw | Bring the Canopy down | Tighten the Canopy Screw

STEP 18. OPEN LOWER BOLT FROM SHACKLE



Open the Lower Bolt **(A)** from Shackle **(4)**, and remember the assembly sequence – Washer, Nut, Lock Nut and Cotter Pin.

STEP 19. INSTALL SHACKLE AND HANG THE FAN



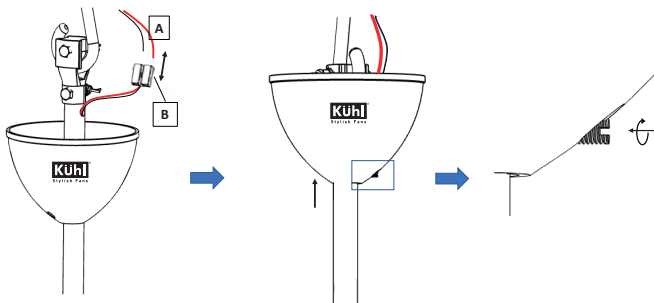
Insert Shackle **(4)** into Ceiling Hook

Raise Fan to Shackle

Re-insert Lower Bolt **(A)** and fasten

Tighten with Washer, Nut, Lock Nut and Cotter Pin in sequence as written.

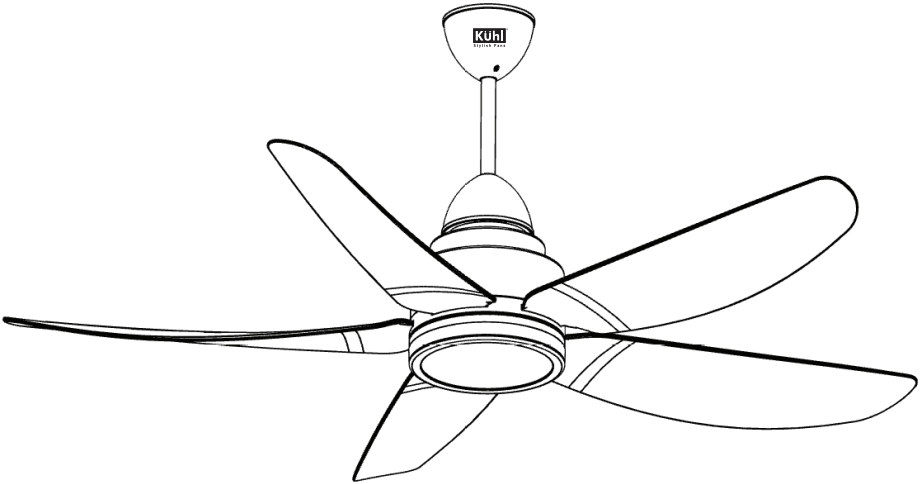
STEP 20. CONNECT TO ELECTRIC SUPPLY



Connect the wires **(A)** from Main Supply into Fan connector **(B)**

Raise the Canopy and tighten the Canopy screw

ASSEMBLY AND INSTALLATION COMPLETE



How to operate Kühl LUXUS BLDC Fan

Important Instructions regarding Regulator:

- Fan regulator is not required for this BLDC fan because it is operated by remote.
- You should ask your electrician to bypass the Regulator in Switch Board wiring, Otherwise fan may not operate properly.
- If Fan wiring is already through a Regulator in switch board, then make sure that Regulator is always set at max speed, and any change in speed should be done by Remote.



How to Operate Remote Control Device

Get the Remote ready.

- Insert 2 Nos. AAA Batteries provided into the Remote Unit's slot provided at back.
- Switch ON the fan from switch board to operate it with Remote as explained hereafter.

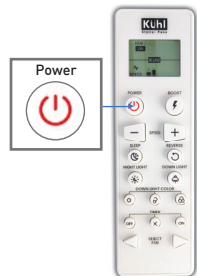
Pair the Remote with Fan, if not paired already.

- Press POWER button on Remote to start BLDC Fan.
- In case the fan starts running, your Remote is already paired.
- However if the fan does not run, the remote requires pairing with Fan. Do the following:
- Switch OFF the fan from switch on the wall, and Switch it ON again.
- Within 45 sec of switch ON, press the POWER button on Remote and keep it pressed for 10 sec. You'll hear a double beep. The fan is now paired and can be operated with remote.



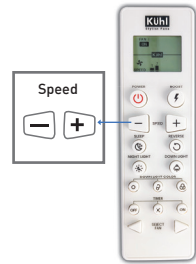
Power ON/OFF Button

- Press POWER button on Remote to start BLDC Fan.
- Beep sound will indicate that it is switched ON.
- Press power button again to switch OFF/ON the BLDC Fan.
- BLDC fan always re-starts at last Switch OFF speed.
- In case there is a power failure, the fan will automatically restart at previous speed.
- If you want to switch off the fan during power failure, you have to switch it off from the Main board switch in wall, as remote is not operational without Power.
- It is recommended to switch off the fan from wall mounted switch when going out of home.



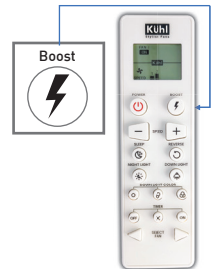
Speed Buttons

- Kuhl BLDC Fans comes with five different speed settings. You can control the speed, with the help of the (-) & (+) buttons. For instance, to decrease the speed press (-) and vice - versa.



Boost Button

- If you want to run the BLDC fan at maximum speed Press BOOST button on Remote. A beep will confirm the action.



Down Light Button

- To turn on the down light, press the DOWN LIGHT button from the fan remote, as soon as you press it, the down light of the fan will turn on.
- Pressing DOWN LIGHT button again will change the colour of Light. Pressing yet again will again change the colour of light to third Light mode. Pressing once again will switch Off the Light.



Night Light Button

- If you want the room to have a little light while sleeping, this fan comes with night light mode setting, To turn it on / off, press the Night Light button from the fan remote. As soon as you press it, the side light of the fan will turn on, so that you can sleep peacefully at night.



All Kühl LUXUS Fans are 5-Star Rated By BEE

**MORE STARS
MORE SAVINGS**

**POWER SAVINGS
GUIDE**

ENERGY EFFICIENCY
Service Value - 6.6*

Label Period: 17th Jan, 2024 to 31st Dec, 2025

Appliance /Type	: Ceiling Fan
Brand	: KÜHL
Model Name/Year	: KÜHL LUXUS-C5-1320/2024
Motor Type	: BLDC
Sweep Size (mm)	: 1320 mm
Power Input (watts)	: 38 watts
Air Delivery (cu/m/min)	: 250 cu m/min

BEEKEN13046622

*Under test conditions. When tested in accordance with IS: 3743:2019 including all amendments. Actual service value may vary as per site conditions.

Kühl LUXUS C5
(1320 mm)

**MORE STARS
MORE SAVINGS**

**POWER SAVINGS
GUIDE**

ENERGY EFFICIENCY
Service Value - 7.6*

Label Period: 17th Jan, 2024 to 31st Dec, 2025

Appliance /Type	: Ceiling Fan
Brand	: KÜHL
Model Name/Year	: KÜHL LUXUS-C5-1200/2024
Motor Type	: BLDC
Sweep Size (mm)	: 1200 mm
Power Input (watts)	: 29 watts
Air Delivery (cu/m/min)	: 220 cu m/min

BEEKEN13046622

*Under test conditions. When tested in accordance with IS: 3743:2019 including all amendments. Actual service value may vary as per site conditions.

Kühl LUXUS C5
(1200 mm)



CONTACT US AT:

E-6,7 & 8, Sector-59, Noida, U.P.-201 309, India. Call: 92-789-12345

E-mail: service@kuhl.in or visit us at www.kuhl.in

*T&C Apply. This warranty is only applicable to the products sold in India.