



**Kühl**<sup>TM</sup>  
BLDC Fans

# Kühl MERIDIAN

STYLISH FANS FOR MODERN HOMES

BLDC  
FAN

ENERGY  
EFFICIENT

LOW  
NOISE

1200 MM  
SWEEP



DECEMBER 2025



IS 374



CML- 8800112515

User Manual

# Welcome to **Kühl**

Dear Customer,

Thank you for choosing **Kühl BLDC Fans!** It is indeed a wise decision as Kühl BLDC Fans are based on the new BLDC technology that offers energy efficiency, high airflow & low noise operation even at a high speed. This feature not only helps to keep your home comfortable but also keeps the electricity bills in check. We believe that customer satisfaction is at the core of our values as each Kühl BLDC Fan is delivered to you after going through an extensive and complete series of testing procedures that examine every area of its operation, effectiveness, and efficiency under various working situations.

Kühl BLDC Fans are here with everything you need from a fan and much more to give you all-round performance. With 1/3rd the energy consumption, it is a pioneer in energy efficiency and brings you world-class comfort. It's time to say goodbye to high electricity bills and be part of the smart future.

Thank you!

Kühl BLDC Fans

# TABLE OF CONTENTS

1. Introduction .....	01
2. Features of Kühl Meridian BLDC Fan .....	01
3. Items in the box .....	02
4. Know your Remote Control Device .....	03
5. Cost Saving Guide .....	04
6. Mounting Recommendations and Maintenance.....	04-05
7. Safety Guidelines .....	05
8. Assembly Instruction .....	05-13

## INTRODUCTION



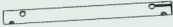

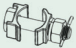



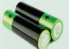

Transform your living space with Kühl Meridian Series Fans, elevating your home's atmosphere to new heights. Designed to enhance the aesthetic appeal of your interiors, these fans feature a remote control and reverse mode that adds a stylish touch with convenience and makes a powerful statement in any indoor space. Despite these impressive features, Kühl Meridian Fans with a 1200 MM sweep, operate on just 30 W, offering up to 65% electricity savings. Kühl Meridian Fans - a flawless fusion of design and functionality

## Features Of Your Kühl Meridian Fan

- 1. BLDC Technology for energy saving:** Kühl BLDC Fans offer better speed versus torque characteristics. It ensures high dynamic response and efficiency. Thanks to its lack of electrical and frictional losses, it offers long operating life.
- 2. 30 Watt power with 1200 MM Sweep & 285 RPM Speed:** Energy efficient operation with optimal sweep and speed lets you stay comfortable all day long.
- 3. Low Noise & High Airflow:** Low noise operation without compromising on the speed limit is the most important benefit of Kühl BLDC Fans. Its higher airflow ensures unmatched comfort for every corner of the place. It's pathbreaking aerodynamic technology keeps your home environment pleasant.
- 4. 5 Star Rated:** All Kühl BLDC Fans are 5 Star Rated that helps bring down the power consumption, thus saving a lot of energy and money.
- 5. Remote Operated:** Eliminates the need of regulators to control the speed of your fans. Just use the battery operated remote to adjust the speed of Kühl BLDC Fans as per your choice.
- 6. Reverse Mode:** Kühl BLDC Fans come with reverse mode to have a comfortable and warm winter, and have a cosy environment as per your requirements.

SPECIFICATION	Kühl Meridian M2 (1200 mm)
Max Power (W)	30
Sweep (MM)	1200
Air Delivery (CMM)	225
Speed (RPM)	285

## Items in the Box

Motor Assembly	1 N	
Canopy	2 N	
Down Rod	1 N	
Shackle	1 N	
Down Rod Bolt	1 N	
Bottom Cover assembly	1 N	
Blades	3 N	
Fan Remote	1 N	
Pencil Cell AAA	2 N	
Supply Wires	1 N	

# Know Your Remote Control Device

BUTTON	FUNCTION
POWER	Single Button for Fan (ON/OFF) Upon Power ON the Fan restarts at last Switch OFF speed.
BOOST	Fan runs at Maximum Speed
SPEED 1	Fan runs at Speed level 1
SPEED 2	Fan runs at Speed level 2
SPEED 3	Fan runs at Speed level 3
SPEED 4	Fan runs at Speed level 4
SPEED 5	Fan runs at Speed level 5
1H	Fan turns OFF after 1 hour. To activate the Timer, press TIMER ON after pressing 1H
4H	Fan turns OFF after 4 hours. To activate the Timer, press TIMER ON after pressing 4H
8H	Fan turns OFF after 8 hours. To activate the Timer, press TIMER ON after pressing 8H
TIMER ON	Activates the OFF Timer for Fan. This needs be pressed soon after pressing 1H / 4H / 8H button
TIMER OFF	Cancels the timer
SLEEP	Speed of Fan decreases by 1 speed level after every two hours. Upon reaching Speed 1, fan keeps running at Speed 1 till switched off
REVERSE MODE	Reverse rotation is helpful in winters to circulate warm air through the room, which operates the fan on default 1 <sup>st</sup> speed.



# Power Saving & Energy Efficient Guide

Kühl BLDC Fans come with revolutionary and super energy-efficient BLDC motor technology that consumes less energy. Our fans consume only 1/3<sup>rd</sup> of the power consumed by ordinary fans. Kühl BLDC Fans run on just 30 W at full speed whereas ordinary induction fans run on approx 80 W.

## Cost Saving Guide

	<b>Ordinary Fans</b>	<b>Kühl Meridian M2 (1200 mm)</b>
Power consumption	75 W	30 W
Assumed usage of fan per day (hours)	16 h	16 h
Power consumption – KWh Units per day	1.2 kWh	0.48 kWh
Electricity bill per day @ Rs 7/unit	Rs 8.4	Rs 3.36
Electricity bill per annum	Rs 3066	Rs 1226
Savings per annum	-	Rs 1840
Cost saving (Up to)	-	60%

## Mounting Recommendations & Maintenance

1. A minimum height of 2.3 m above the ground is required for mounting the fan. Allow enough room from the ceiling for the high-level cabinet doors to open. At least 0.25 m should separate the blade from the ceiling.
2. The horizontal distance from the nearest wall to the blade tip should be around 0.5 times the fan sweep, for example, from 1200 MM, it should be 600 MM.

3. There should be a minimum clearance of 2 times the fan sweep between the centres of two fans, for example, 1200 MM should be 2400 MM.
4. Turn the fan off before cleaning, to prevent any harm or damage. Be extremely cautious while working around the fan. There is no additional type of maintenance needed except routine dusting. To prevent scratches, use a soft brush or a lint-free cloth. Avoid using solvents, abrasives, or hard detergents.
5. To prevent the fan from wobbling or dropping, never exert too much pressure while cleaning the blades. To prevent any inconvenience, frequently check that the nuts, bolts, screws, and washers are in the correct position.

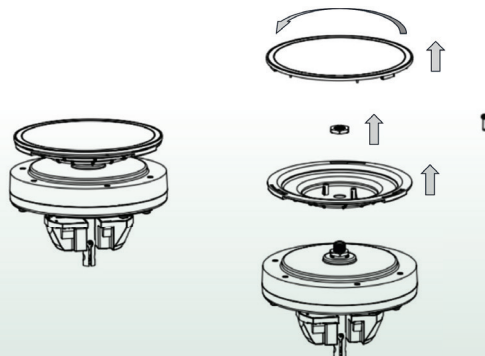
## Safety Guidelines

Read the safety guidelines carefully to understand the installation, use, and maintenance.

1. Never place any part of the packaging within the reach of children/differently abled.
2. Avoid using moist or damp hands while switching On/Off this appliance.
3. Before cleaning and doing other maintenance procedures, be sure to turn off the fan's power supply.
4. To prevent mishaps, it is advised to inspect the suspension system of the ceiling fan every six months to ensure that the fasteners are properly fastened.

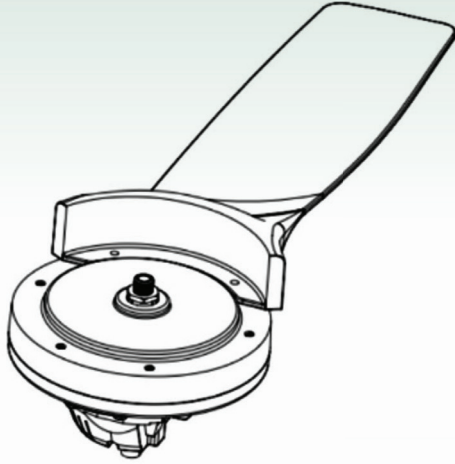
## Assembly Instructions Kühl Meridian Fans

### Step 1. Open the Bottom Cover



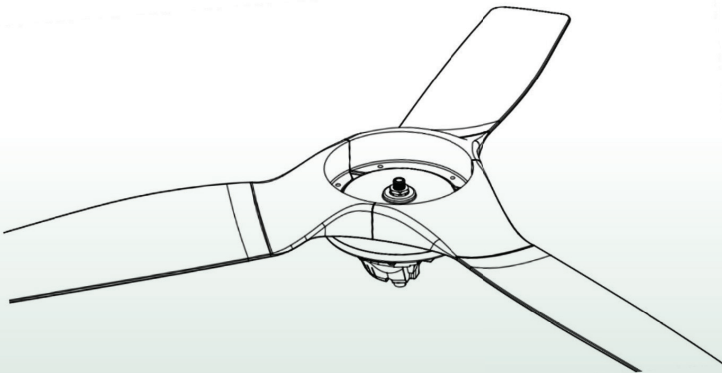
Disassemble the Bottom Cover from the Motor

## Step 2. Assemble 1<sup>st</sup> Blade

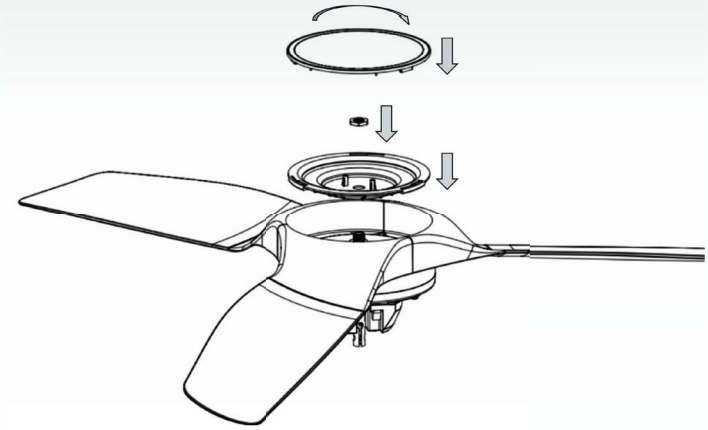


Place the Motor with Light side up, and install first blade with blade screws provided on Blade Housing

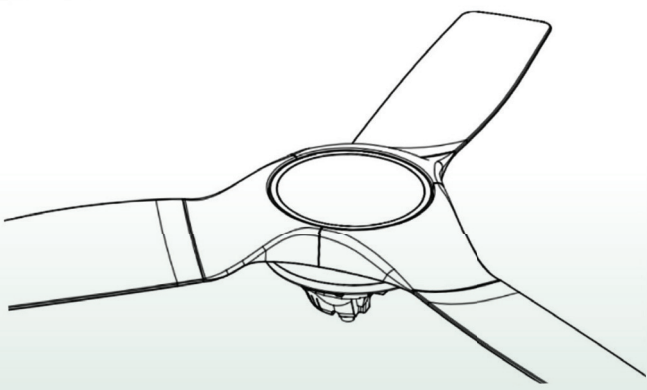
## Step 3. Assemble all 3 blades



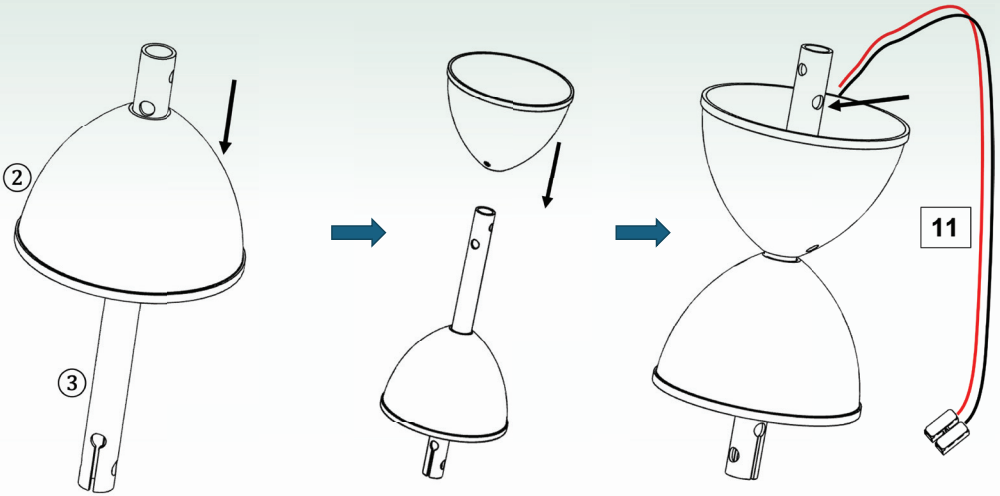
## Step 4. Re-assemble the Bottom Cover



## Step 5. Fan Assembled



## Step 6. Assemble Down Rod and Canopies

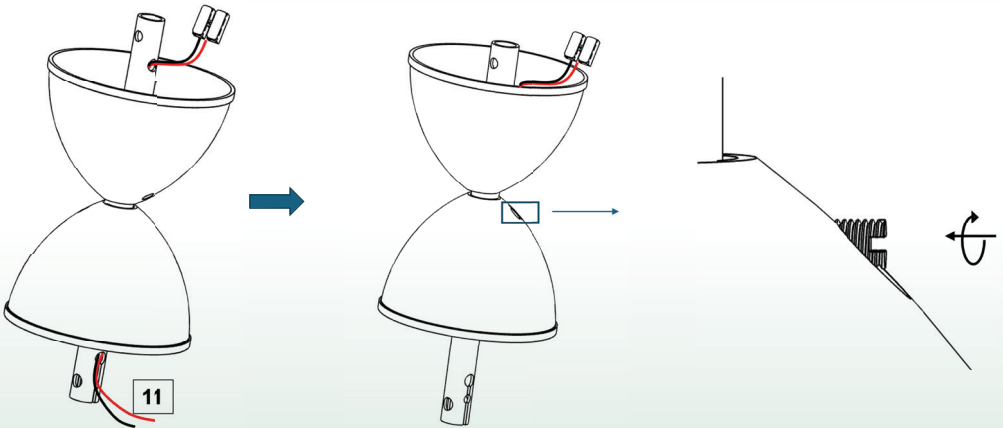


Insert Bottom Canopy  
② from Top end of  
Downrod ③ (no-slit end)

Insert Top Canopy  
also from same end

Insert Supply Wire provided  
through the lower one of the  
Top side holes in Downrod

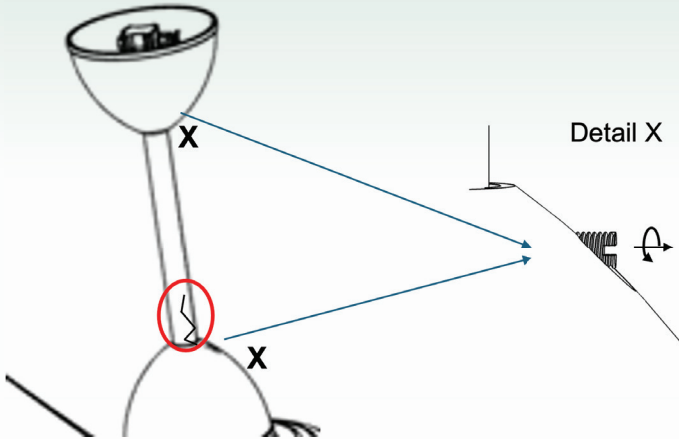
## Step 7. Insert Supply Wire



Take the Supply wire (11) out ③  
from the slit-end of Downrod

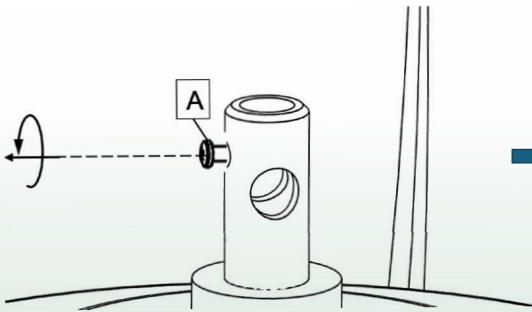
Raise the Canopies up and lock in place  
by tightening the lower canopy screw

## Caution: Don't move canopy while screw is tightened

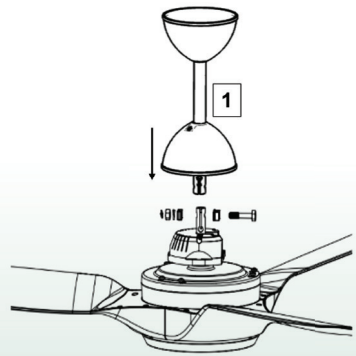


With screws X tightened, there can be scratches incurred on Down Rod on movement of canopy. Always loosen the screw before moving the canopy up / down, and re-tighten the screw after desired placement.

## Step 8. Start Down Rod Assembly

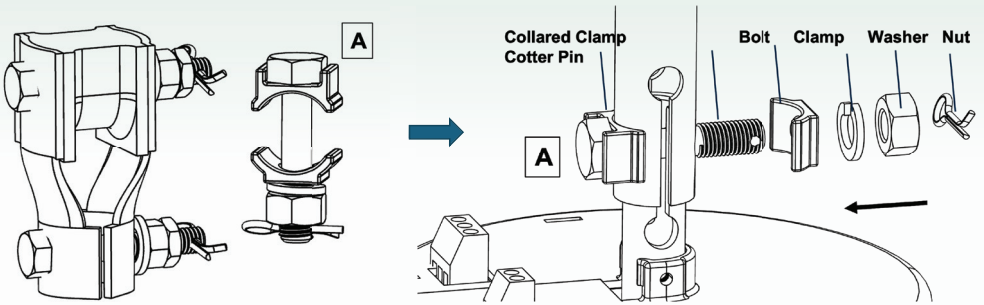


Unfasten Safety screw (A) on shaft



Place Down Rod (1) over Motor Shaft, with slit-end downwards, as shown

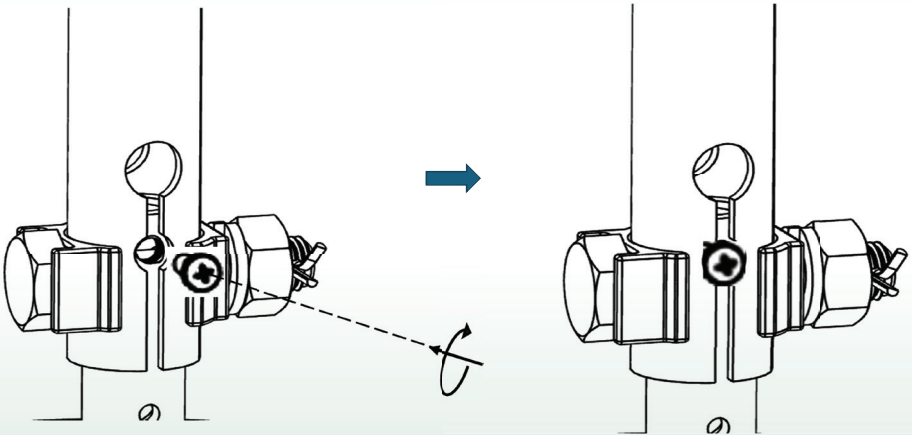
## Step 9. Insert The Down Rod Bolt



Take the Down Rod Bolt (A) from Shackle kit

Insert The Down Rod Bolt with Collared Clamp through Down Rod and Shaft Holes. Assemble other bolt parts.

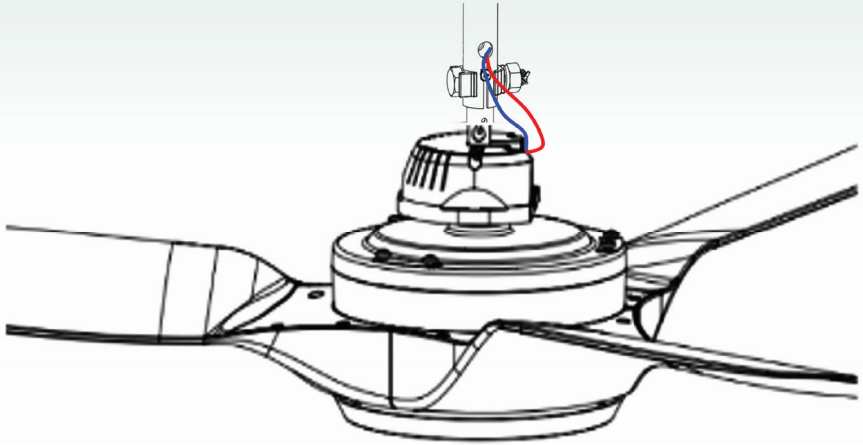
## Step 10. Safety Screw Assembly



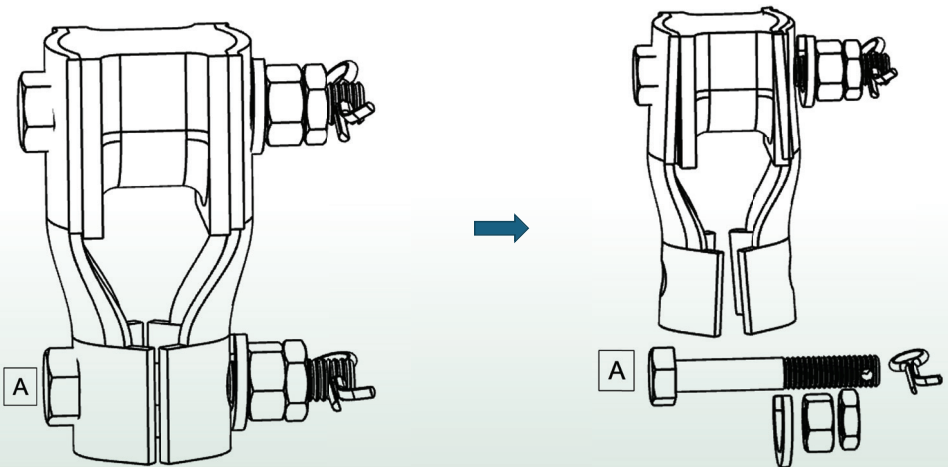
Reinsert the Safety screw

Safety screw tightened

**Step 11. Make Input Electric connection into the Connector coming out of Fan**

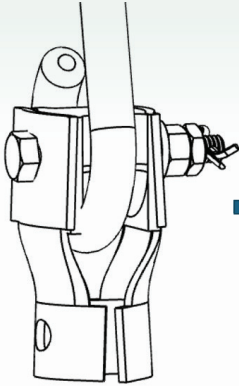


**Step 12. Open Lower Bolt (A) from Shackle**

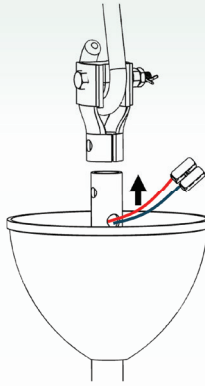


## Step 13. Install Shackle and hang the Fan

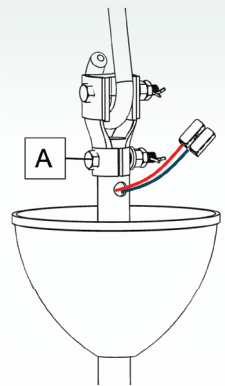
Insert Shackle into Ceiling Hook



Raise Fan to Shackle

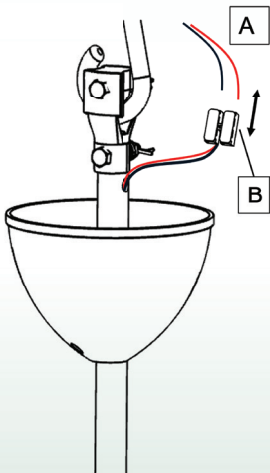


Re-insert Lower Bolt **(A)**

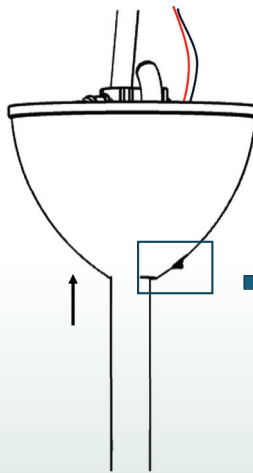


Tighten with Washer, Nut, Lock Nut and Cotter Pin in sequence as written

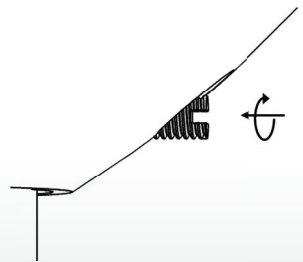
## Step 14. Connect to Electric supply



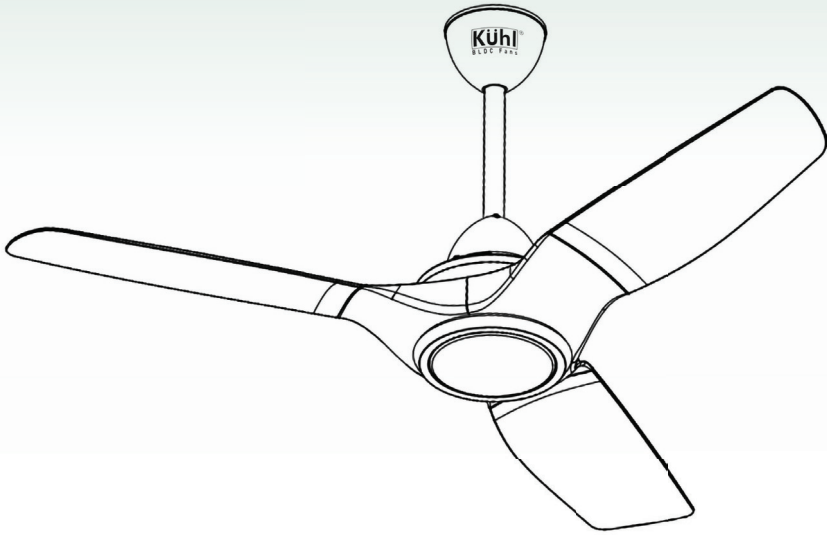
Connect the wires from Main Supply **(A)** into Fan connector **(B)**



Raise the Canopy and tighten the Canopy screw



## Assembled Meridian Fan




# All Kühl MERIDIAN Fans are 5-Star Rated By BEE

**POWER SAVINGS GUIDE**

**ENERGY EFFICIENCY**  
**Service Value - 7.5\***  
Label Period: 1<sup>st</sup> Jan, 2026 to 31<sup>st</sup> Dec, 2028

Appliance /Type	: Ceiling Fan
Brand	: KUHIL
Model Name/Year	: KUHIL MERIDIAN-M2-1200/2025
Motor Type	: BLDC
Sweep Size (mm)	: 1200 mm
Power Input (watts)	: 30 watts
Air Delivery (cu/m/min)	: 225 cu m/min

  
BEE/EN/130446/22

\*Under test conditions, When tested in accordance with IS 374:2019 including all amendments  
Actual service value may vary as per site conditions.

## Kühl MERIDIAN M2 (1200 mm)



**CONTACT US AT:**

E-6,7 & 8, Sector-59, Noida, U.P.-201 309, India. Call: 92-789-12345  
E-mail: [service@kuhl.in](mailto:service@kuhl.in) or visit us at [www.kuhl.in](http://www.kuhl.in)

\*T&C Apply. This warranty is only applicable to the products sold in India.