



KühlTM
Stylish Fans



Kühl MERIDIAN M55 & M53

ENHANCE HOME DECOR WITH BEAUTIFUL BLDC FANS

**BLDC
FAN**

**ENERGY
EFFICIENT**

**LOW
NOISE**

**1400 MM
SWEEP**



JUNE 2026



IS 374



CM/L- 8800112515
For BIS certification details,
please visit www.bis.gov.in

User Manual

Welcome to **Kühl**

Dear Customer,

Thank you for choosing **Kühl BLDC Fans!** It is indeed a wise decision as Kühl BLDC Fans are based on the new BLDC technology that offers energy efficiency, high airflow & low noise operation even at a high speed. This feature not only helps to keep your home comfortable but also keeps the electricity bills in check. We believe that customer satisfaction is at the core of our values as each Kühl BLDC Fan is delivered to you after going through an extensive and complete series of testing procedures that examine every area of its operation, effectiveness, and efficiency under various working situations.

Kühl BLDC Fans are here with everything you need from a fan and much more to give you all-round performance. With 1/3rd the energy consumption, it is a pioneer in energy efficiency and brings you world-class comfort. It's time to say goodbye to high electricity bills and be part of the smart future.

Thank you!

Kühl BLDC Fans

TABLE OF CONTENTS

1. Introduction	01
2. Features of Kühl Meridian M55 & M53 BLDC Fans	01
3. Know your Remote Control Device	03
4. Power Saving & Energy Efficient Guide	04
5. Cost Saving Guide	04
5. Mounting Recommendations and Maintenance.....	04-05
6. Safety Guidelines	05
7. Assembly Instruction	06-10
8. How to operate Kühl Meridian M55 & M53 BLDC Fans Series	10
9. How to Operate Remote Control Device	11-12
10. Kühl Meridian BLDC Fans are 5-Star rated by BEE	13

INTRODUCTION

Transform your living space with Kühl Meridian Fan Series, elevating your home's atmosphere to new heights. Designed to enhance the aesthetic appeal of your interiors, these fans feature a remote control and reverse mode that adds a stylish touch with convenience and makes a powerful statement in any indoor space. Despite these impressive features, Kühl Meridian M55 & M53 BLDC Fans with a 1400 mm sweep, operate on just 32 W, offering up to 65% electricity savings. Kühl Meridian Fans - a flawless fusion of design and functionality.

Features Of Your Kühl Meridian BLDC Fans

- 1. BLDC Technology for energy saving:** Kühl BLDC Fans offer better speed versus torque characteristics. It ensures high dynamic response and efficiency. Thanks to its lack of electrical and frictional losses, it offers long operating life.
- 2. Highest Air Delivery:** Energy Efficient operation with 32 W Power, 1400 mm Sweep, & high RPM speed to fill every corner of your place with fresh air as per your need. Its higher air force ensures unmatched comfort to every corner of the place.
- 3. Low Noise:** The low noise operation without compromising the speed limit is one of the most desired features of Kühl BLDC Fans. They operate at low speeds while providing high air flow with low turbulence and minimal windnoise.
- 4. 5 Star Rated:** All Kühl BLDC Fans are 5 Star Rated that helps bring down the power consumption, thus saving a lot of energy and money.
- 5. Remote Operated:** Eliminates the need of regulators to control the speed of your fans. Just use the battery operated remote to adjust the speed of Kühl BLDC Fans as per your choice.
- 6. Reverse Mode:** Kühl BLDC Fans come with reverse mode to have a comfortable and warm winter, and have a cosy environment as per your requirements.

- 7. **Aerodynamic Blades:** Aerodynamic mic design helps deliver higher airflow and low noise at a low wattage.
- 8. **Attractive Design:** Stylish enough to enhance the look of your place, Kühl BLDC Fans feature decorative trims and a sleek surface that become the centre of attention in any space.
- 9. **Kühl Mobile Application:** All Kühl BLDC fan models can be seamlessly controlled through a single Kuhl App for convenient and unified operation.

SPECIFICATION	Kühl Meridian M55 (1400 mm)	Kühl Meridian M53 (1400 mm)
Max Power (W)	32	32
Sweep (mm)	1400	1400
Air Delivery (CMM)	245	245
Speed (RPM)	220	260

Know Your Remote Control Device

BUTTON	FUNCTION
POWER	Single Button for Fan (ON/OFF) Upon Power ON the Fan restarts at last Switch OFF speed.
BOOST	Fan runs at Maximum Speed
SPEED 1	Fan runs at Speed level 1
SPEED 2	Fan runs at Speed level 2
SPEED 3	Fan runs at Speed level 3
SPEED 4	Fan runs at Speed level 4
SPEED 5	Fan runs at Speed level 5
1H	Fan turns OFF after 1 hour. To activate the Timer, press TIMER ON after pressing 1H
4H	Fan turns OFF after 4 hours. To activate the Timer, press TIMER ON after pressing 4H
8H	Fan turns OFF after 8 hours. To activate the Timer, press TIMER ON after pressing 8H
TIMER ON	Activates the OFF Timer for Fan. This needs be pressed soon after pressing 1H / 4H / 8H button
TIMER OFF	Cancels the timer
SLEEP	Speed of Fan decreases by 1 speed level after every two hours. Upon reaching Speed 1, fan keeps running at Speed 1 till switched off
REVERSE MODE	Reverse rotation is helpful in winters to circulate warm air through the room, which operates the fan on default 1 st speed.



Power Saving & Energy Efficient Guide

Kühl BLDC Fans come with revolutionary and super energy-efficient BLDC motor technology that consumes less energy. Our fans consume only 1/3rd of the power consumed by ordinary fans. Kühl BLDC Fans run on just 30 W at full speed whereas ordinary induction fans run on approx 80 W.

Cost Saving Guide

	Ordinary Fan	Kühl Meridian M55 & M53 (1400 mm)
Power Consumption	75 W	32 W
Assumed usage of fan per day (hours)	16 h	16 h
Power consumption – KWh Units per day	1.2 kWh	0.512 kWh
Electricity bill per day @ ₹7/unit	₹8.4	₹3.58
Electricity bill per annum	₹3066	₹1308
Savings per annum	-	₹1758
Cost savings (Up to)	-	60%

Mounting Recommendations & Maintenance

1. A minimum height of 2.3 m above the ground is required for mounting the fan. Allow enough room from the ceiling for the high-level cabinet doors to open. At least 0.25 m should separate the blade from the ceiling.
2. The horizontal distance from the nearest wall to the blade tip should be around 0.5 times the fan sweep, for example, from 1200 mm, it should be 600 mm.

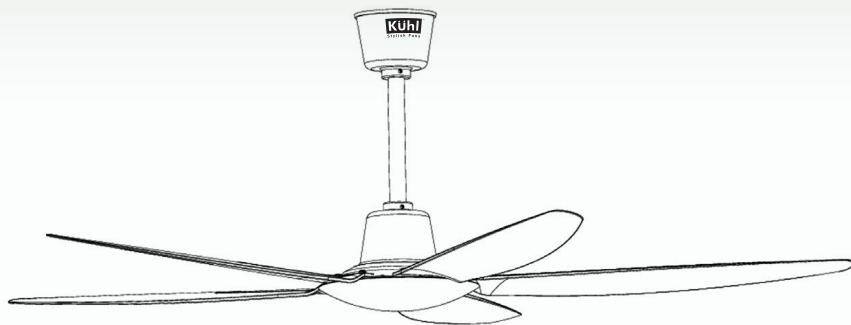
3. There should be a minimum clearance of 2 times the fan sweep between the centres of two fans, for example, 1200 mm should be 2400 mm.
4. Turn the fan off before cleaning, to prevent any harm or damage. Be extremely cautious while working around the fan. There is no additional type of maintenance needed except routine dusting. To prevent scratches, use a soft brush or a lint-free cloth. Avoid using solvents, abrasives, or hard detergents.
5. To prevent the fan from wobbling or dropping, never exert too much pressure while cleaning the blades. To prevent any inconvenience, frequently check that the nuts, bolts, screws, and washers are in the correct position.

Safety Guidelines

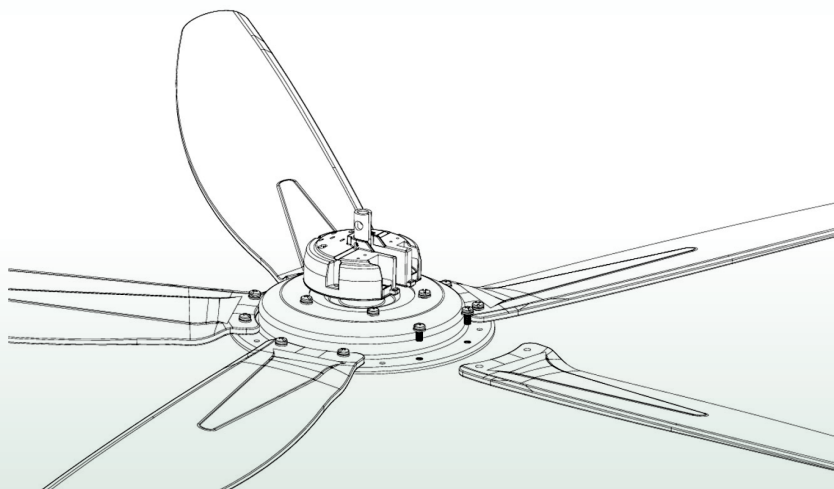
Read the safety guidelines carefully to understand the installation, use, and maintenance.

1. Never place any part of the packaging within the reach of children/differently abled.
2. Avoid using moist or damp hands while switching On/Off this appliance.
3. Before cleaning and doing other maintenance procedures, be sure to turn off the fan's power supply.
4. To prevent mishaps, it is advised to inspect the suspension system of the ceiling fan every six months to ensure that the fasteners are properly fastened.

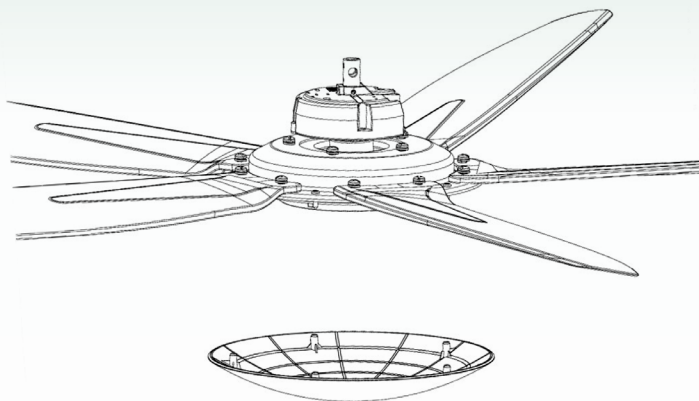
Assembly Instructions Kühl Meridian M55 & M53 BLDC Fans



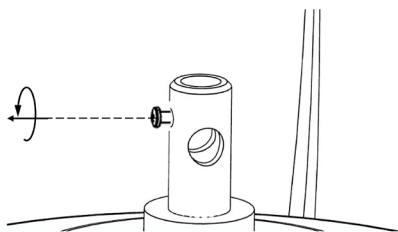
Step 1. Assemble Blades on Motor



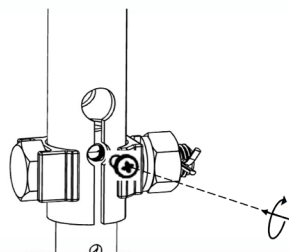
Step 2. Assemble the Bottom Cover on Motor Housing



Step 3. The Safety Screw

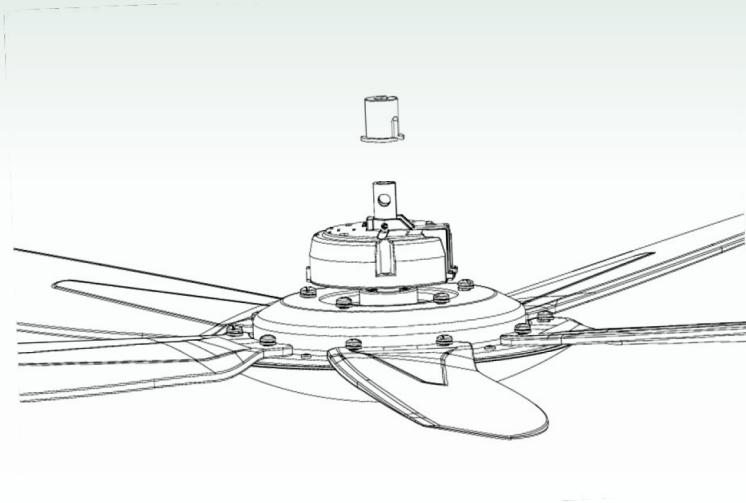


Open the Safety screw before Down Rod insertion

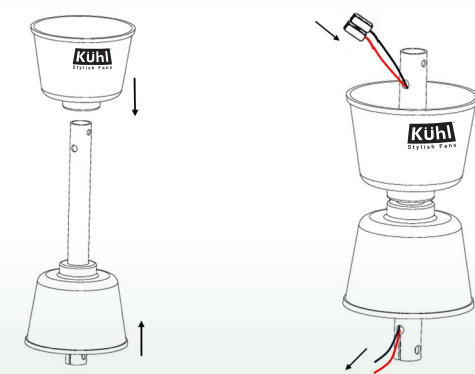


DON'T FORGET to reinsert safety screw after Down Rod insertion!

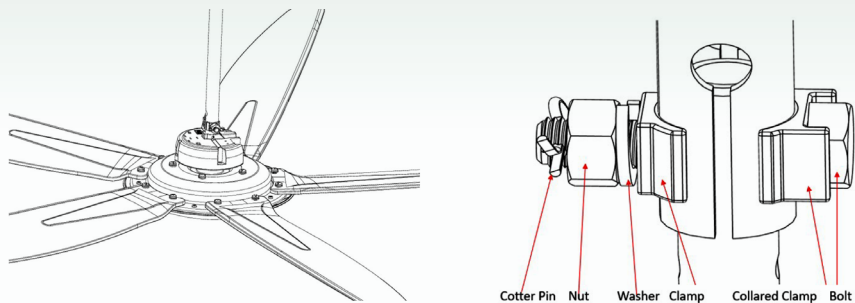
Step 4. Insert Plastic Bush on Shaft



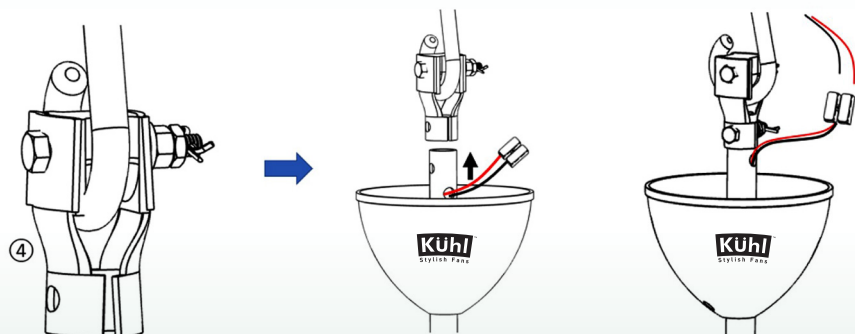
Step 5. Insert Canopies and Supply Wire into Down Rod



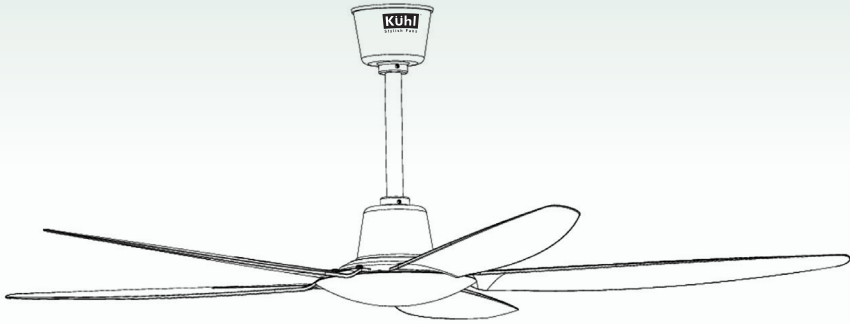
Step 6. Insert Down Rod Assembly onto Shaft and fasten with Bolt



Step 7. Insert Shackle in Ceiling Hook, attach fan and connect wires



Step 8. Hang the fan in Ceiling Hook



NOTE: The fan model illustrated in this manual is the Kühl Meridian M55, however the assembly instructions are the same for the Meridian M53 as well. Please note that the Meridian M55 and Meridian M53 may have different parts and number of blades that may vary.

How to operate Kühl Meridian M55 & M53 BLDC Fan Series

Important Instructions regarding Regulator:

- Fan regulator is not required for this BLDC fan because it is operated by remote.
- You should ask your electrician to bypass the Regulator in Switch Board wiring, Otherwise fan may not operate properly.
- If Fan wiring is already through a Regulator in switch board, then make sure that Regulator is always set at max speed, and any change in speed should be done by Remote.



How to operate Remote Control Device

Get the Remote ready.

- Insert 2 Nos. AAA Batteries provided into the Remote Unit's slot provided at back.
- Switch ON the fan from switch board to operate it with Remote as explained hereafter.

Pair the Remote with Fan, if not paired already.

- Press POWER button on Remote to start BLDC Fan.
- In case the fan starts running, your Remote is already paired.
- However if the fan does not run, the remote requires pairing with Fan. Do the following:
- Switch OFF the fan from switch on the wall, and Switch it ON again.
- Within 45 sec of switch ON, press the POWER button on Remote and keep it pressed for 10 sec. You'll hear a double beep. The fan is now paired and can be operated with remote.



Power ON/OFF Button

- Press POWER button on Remote to start BLDC Fan.
- Beep sound will indicate that it is switched ON.
- Press power button again to switch OFF/ON the BLDC Fan.
- BLDC fan always re-starts at last Switch OFF speed.
- In case there is a power failure, the fan will automatically restart at previous speed.
- If you want to switch off the fan during power failure, you have to switch it off from the Main board switch in wall, as remote is not operational without Power.
- It is recommended to switch off the fan from wall mounted switch when going out of home.



Speed Buttons

- Kuhl BLDC Fans comes with five different speed settings. You can control the speed, with the help of the (-) & (+) buttons. For instance, to decrease the speed press (-) and vice-versa.



Boost Button

- If you want to run the BLDC fan at maximum speed Press BOOST button on Remote. A beep will confirm the action.



Kühl Meridian BLDC Fans are 5-Star rated by BEE

POWER SAVINGS GUIDE

ENERGY EFFICIENCY
Service Value - 7.7*
 Label Period: 1st Jan, 2026 to 31st Dec, 2028

Appliance /Type : Ceiling Fan
 Brand : KUHLL
 Model Name/Year : KUHLL MERIDIAN -M55-1400/2026
 Motor Type : BLDC
 Sweep Size (mm) : 1400 mm
 Power Input (watts) : 32 watts
 Air Delivery (cum/min): 245 cum/min

BEE/KEN13/00466/22

*Under test conditions. When tested in accordance with IS 374:2019 including all amendments Actual service value may vary as per site conditions.

Kühl MERIDIAN M55
 (1400 mm)

POWER SAVINGS GUIDE

ENERGY EFFICIENCY
Service Value - 7.7*
 Label Period: 1st Jan, 2026 to 31st Dec, 2028

Appliance /Type : Ceiling Fan
 Brand : KUHLL
 Model Name/Year : KUHLL MERIDIAN -M53-1400/2026
 Motor Type : BLDC
 Sweep Size (mm) : 1400 mm
 Power Input (watts) : 32 watts
 Air Delivery (cum/min): 245 cum/min

BEE/KEN13/00466/22

*Under test conditions. When tested in accordance with IS 374:2019 including all amendments Actual service value may vary as per site conditions.

Kühl MERIDIAN M53
 (1400 mm)



**CONTACT US AT:
KENT RO SYSTEMS LTD.**

E-6, Sector-59, Noida, U.P. - 201 309, India. Call: 92-789-12345
E-mail: service@kuhl.in or visit us at www.kuhl.in