



User Manual For:

- Polariz Gold 72
- Polariz Super 72
- Polariz Star 66



JUNE 2026

BLDC FAN	SAVES ELECTRICITY	LOW NOISE	HIGH AIRFLOW
Wi-Fi/IoT ENABLED	DOWN LIGHT IN 3 COLOURS	REVERSE MODE	



Kühl Polariz Series

Enhance Home Décor with Beautiful BLDC Fans

Welcome to Kühl

Dear Customer,

Thank you for choosing Kühl BLDC Fans! It is indeed a wise decision as Kühl BLDC Fans are based on the new BLDC technology that offers energy efficiency, high airflow & low noise operation even at a high speed. This feature not only helps to keep your home comfortable but also keeps the electricity bills in check. We believe that customer satisfaction is at the core of our values as each Kühl BLDC Fan is delivered to you after going through an extensive and complete series of testing procedures that examine every area of its operation, effectiveness, and efficiency under various working situations.

Kühl BLDC Fans are here with everything you need from a fan and much more to give you all-round performance. With 1/3rd the energy consumption, it is a pioneer in energy efficiency and brings you world-class comfort. It's time to say goodbye to high electricity bills and be part of the smart future.

Thank you!

Kühl BLDC Fans

TABLE OF CONTENTS

1. Introduction	01
2. Features of Kühl Polariz BLDC Fan Series	01-02
3. Know your Remote Control Device	03
4. Power Saving & Energy Efficient Guide	04
5. Cost Saving Guide	04
6. Mounting Recommendation and Maintenance.....	05
7. Safety Guidelines	05
8. Assembly Instructions	06-12
9. How to Operate Kühl Polariz BLDC Fan Series	12
10. How to Operate Remote Control Device	13-14

INTRODUCTION

Elevate your living space with the grandeur of Kühl Polariz Fan Series, a perfect blend of luxury design and advanced performance. Driven by a cutting-edge BLDC motor with aerodynamic technology, Kühl Polariz Fan Series ensures high efficiency, quiet operation, and lasting performance. This premium fan comes with a downlight feature that adds a touch of elegance and warmth to your interiors. With smart wireless controls, you can operate it effortlessly using a remote, smartphone, or voice-enabled devices, bringing you refined style and comfort.

FEATURES OF YOUR KÜHL POLARIZ BLDC FAN SERIES

- **BLDC Technology for Energy Saving:** Kühl BLDC Fans offer better speed versus torque characteristics. It ensures high dynamic response and efficiency. Thanks to its lack of electrical and frictional losses, it offers long operating life.
- **Highest Air Delivery:** Energy Efficient operation with 35 W Power, 1800/1550 mm Sweep, & high RPM speed to fill every corner of your place with fresh air as per your need. Its higher air force ensures unmatched comfort to every corner of the place.
- **Low Noise:** The low noise operation without compromising the speed limit is one of the most desired features of Kühl BLDC Fans. They operate at low speeds while providing high air flow with low turbulence and minimal windnoise.
- **Down Light:** Designed to add light and enhance the decor of your space, Kühl BLDC Fans exudes sheer elegance with its IoT-enabled down light, so you can switch it on or off using your phone, remote, Wi-Fi/IoT operated or Alexa.
- **One Fan Many Operations:** Kühl BLDC Fans are IoT-enabled, making it efficient and easy to use, Conveniently set to adjust the fan speed, lighting preferences, different modes, set timer, and a lot more via:
 - Remote
 - Smart Phones
 - Alexa/Voice Enabled
 - Wi-Fi/IoT Operated

- **Aerodynamic Blades:** Aerodynamic mic design helps deliver higher airflow and low noise at a low wattage.
- **Reverse Mode:** During winters, when hot air gets stuck at the top of the ceiling. You can switch on the reverse mode for air circulation, so you can feel warm air consistently spread across the place.
- **Attractive Design:** Stylish enough to enhance the look of your place, Kühl BLDC Fans feature decorative trims and a sleek surface that become the centre of attention in any space.
- **5 Star Rated:** All Kühl BLDC Fans are 5 Star Rated that helps bring down the power consumption, thus saving a lot of energy and money.
- **Kühl Mobile Application:** All Kühl BLDC fan models can be seamlessly controlled through a single Kuhl App for convenient and unified operation.
- **Remote Operated:** Eliminates the need of regulators to control the speed of your fans. Just use the battery operated remote to adjust the speed of Kühl BLDC Fans as per your choice.

SPECIFICATIONS	Kühl Polariz Gold 72 (1800 mm)	Kühl Polariz Super 72 (1800 mm)	Kühl Polariz Star 66 (1550 mm)
Max Power (W)	35	35	35
Sweep (MM)	1800	1800	1550
Max Speed (RPM)	83	104	108
Max Air Delivery (CMM)	340	340	315

KNOW YOUR CONTROL DEVICE

Remote

- **SPEED SETTING:** Speed varies for five different levels, wherein S1 is the lowest fan speed and S5 is the highest. Press as per your requirement.
- **SLEEP MODE:** Auto speed control for uninterrupted comfortable sleep. Select this setting before going to bed, and the speed will automatically drop to the minimum pace you specify.
- **BUILT-IN TIMER:** You can use timer settings for 1 hour, 4 hours, & 8 hours accordingly.
- **BOOST MODE:** Press this button to accelerate the fan past, its maximum speed directly when it's too hot.
- **REVERSE MODE:** When you put the fan into reverse, it draws air upward. This brings the warmer air near the ceiling back down into lower half of the room, where the people are.



IoT/Wi-Fi

Please follow the given steps to connect Kuhl fan to Wi-Fi Network:

- Use a Paired Remote
- Switch ON Fan
- Press & hold "Boost" button
- On remote for 10s
- 2 Beeps indicate success
- Use Kuhl mobile app for Wi-Fi Pairing

Voice command/Alexa

To set up Alexa:

Simply link your Alexa account to the Kuhl mobile application to setup Alexa with your Kuhl fan.

POWER SAVING & ENERGY EFFICIENT GUIDE

Kühl BLDC Fans come with revolutionary and super energy-efficient BLDC motor technology that consumes less energy. Our fans consume only 1/3rd of the power consumed by ordinary fans. Kühl Polariz BLDC Fans Series run on just 35 W at full speed whereas ordinary induction fans run on approx. 75 W.

COST SAVING GUIDE

Particulars	Induction Fan	Kühl Polariz Fan Series
Power Consumption	75W	35W
Assumed usage of fan per day (hours)	16h	16h
Power consumption - KWh Units per day	1.2kWh	0.56kWh
Electricity bill per day @7/unit	₹8.4	₹3.92
Electricity bill per annum	₹3066	₹1430
Savings per annum	-	₹1636
Cost saving (Up to)	-	53%

MOUNTING RECOMMENDATION & MAINTENANCE

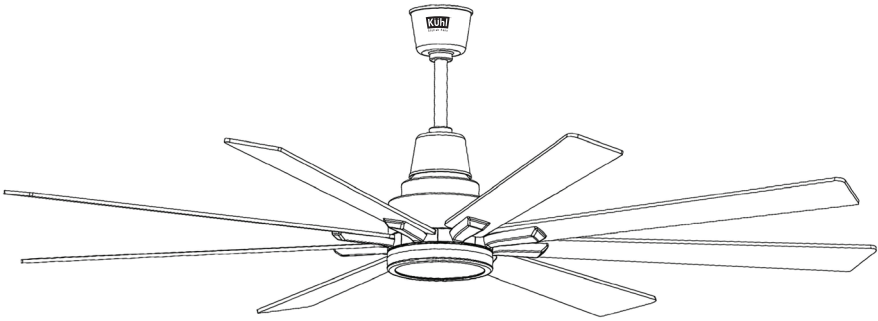
- A minimum height of 2.3 m above the ground is required for mounting the fan. Allow enough room from the ceiling for the high-level cabinet doors to open. At least 0.25 m should separate the blade from the ceiling.
- The horizontal distance from the nearest wall to the blade tip should be around 0.5 times the fan sweep, for example, from 1200 mm, it should be 600 mm.
- There should be a minimum clearance of 2 times the fan sweep between the centres of two fans, for example, 1200 mm should be 2400 mm.
- Turn the fan off before cleaning, to prevent any harm or damage. Be extremely cautious while working around the fan. There is no additional type of maintenance needed except routine dusting. To prevent scratches, use a soft brush or a lint-free cloth. Avoid using solvents, abrasives, or hard detergents.
- To prevent the fan from wobbling or dropping, never exert too much pressure while cleaning the blades. To prevent any inconvenience, frequently check that the nuts, bolts, screws, and washers are in the correct position.

SAFETY GUIDELINES

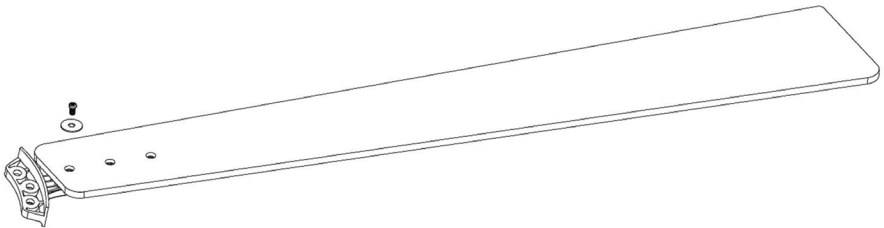
Read the safety guidelines carefully to understand the installation, use, and maintenance.

- Never place any part of the packaging within the reach of children/differently abled.
- Avoid using moist or damp hands while switching On/Off this appliance.
- Before cleaning and doing other maintenance procedures, be sure to turn off the fan's power supply.
- To prevent mishaps, it is advised to inspect the suspension system of the ceiling fan every six months to ensure that the fasteners are properly fastened

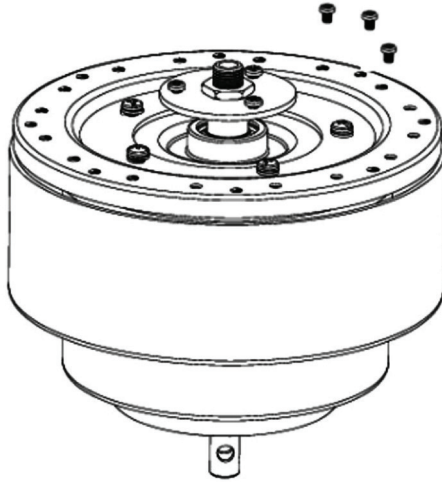
ASSEMBLY INSTRUCTIONS FOR Kühl POLARIZ BLDC FAN SERIES



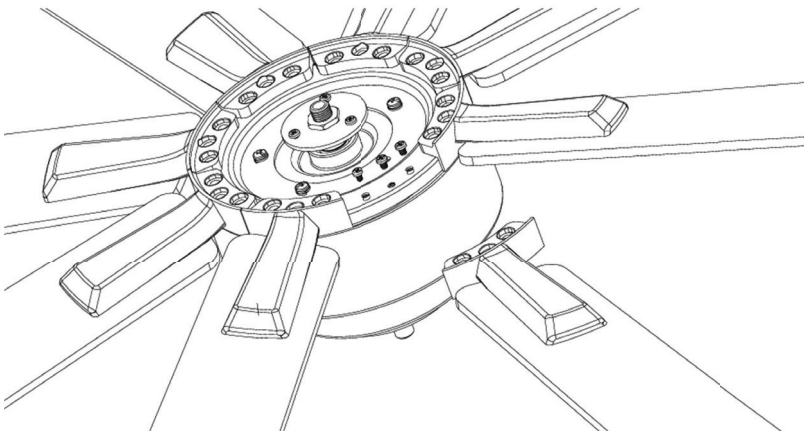
STEP 1: ASSEMBLE SHANKS ON ALL BLADES



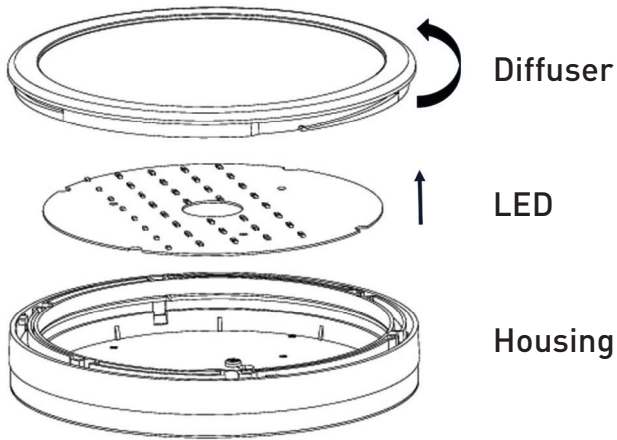
STEP 2: REMOVE BLADE SCREWS FROM MOTOR



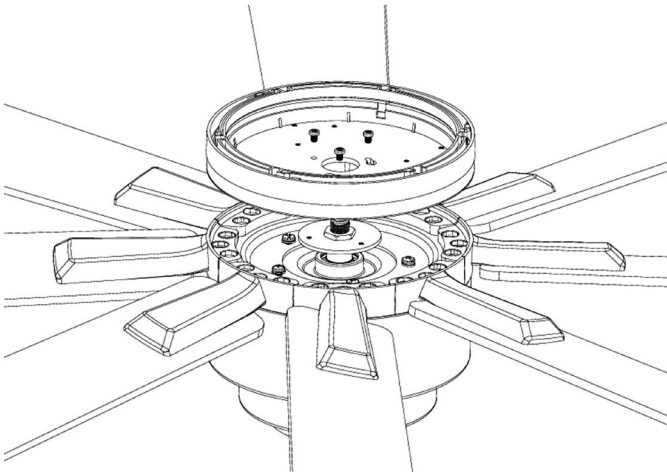
STEP 3: ASSEMBLE BLADES ON MOTOR USING REMOVED SCREWS



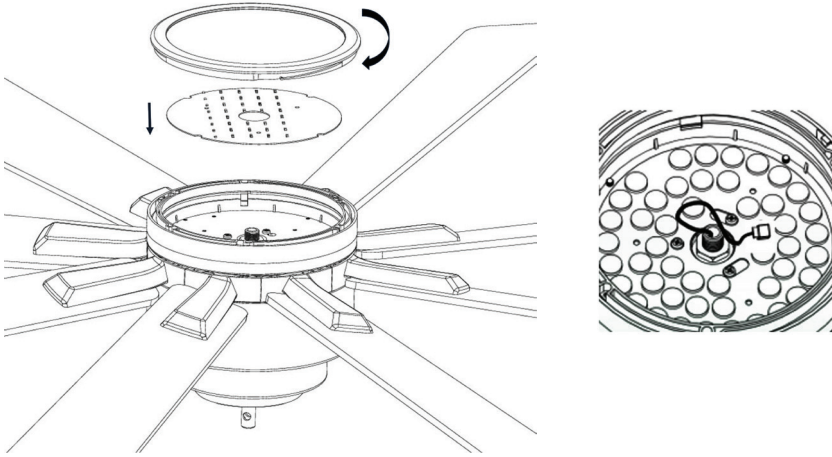
STEP 4: DISMANTLE LIGHT ASSEMBLY



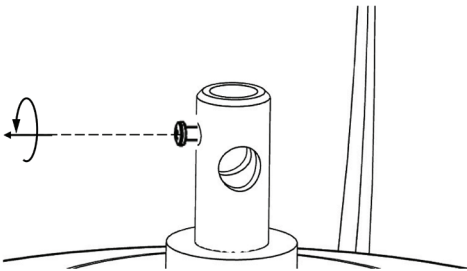
STEP 5: MOUNT LIGHT HOUSING ON THE MOUNT PLATE USING ITS 3 SCREWS



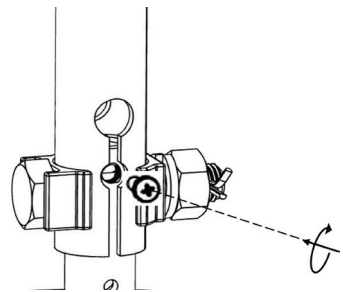
STEP 6: ASSEMBLE LED AND DIFFUSER AGAIN, INSERT WIRE FROM SHAFT INTO LED CONNECTOR



STEP 7: THE SAFETY SCREW

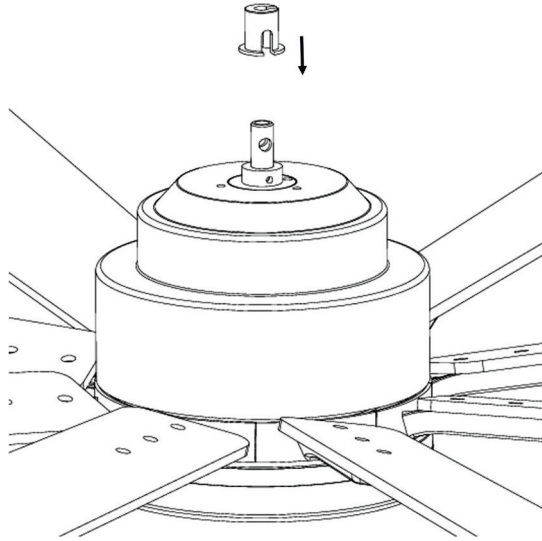


Open the Safety screw before
DownRod insertion

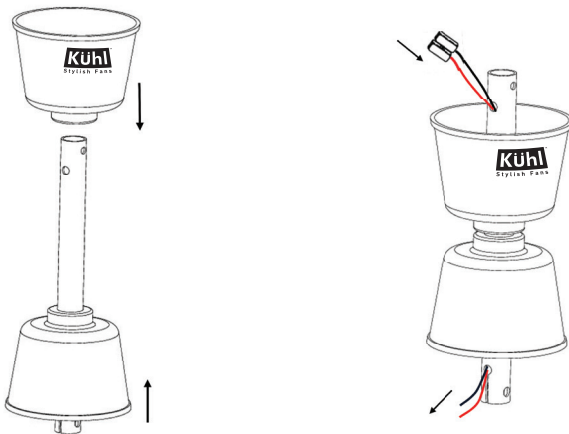


DON'T FORGET to reinsert safety
screw after Downrod insertion!

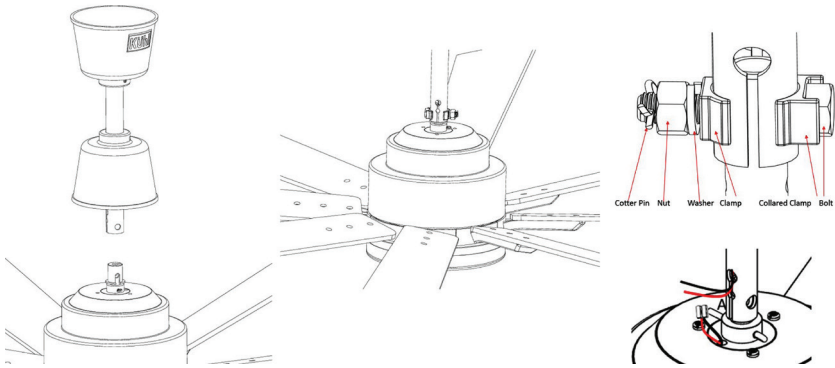
STEP 8: INSERT PLASTIC BUSH ON SHAFT



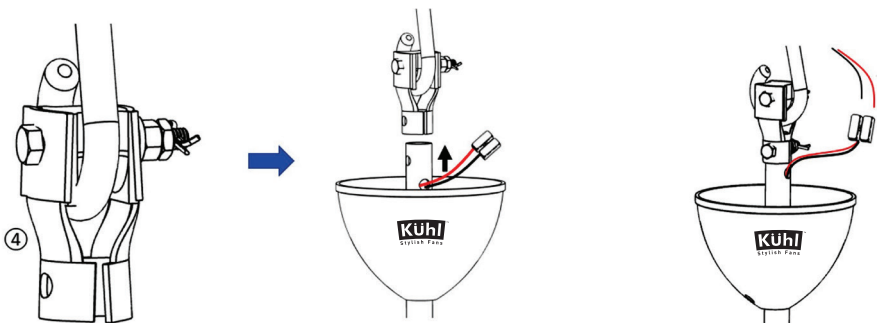
STEP 9: INSERT CANOPIES AND SUPPLY WIRE INTO DOWN ROD



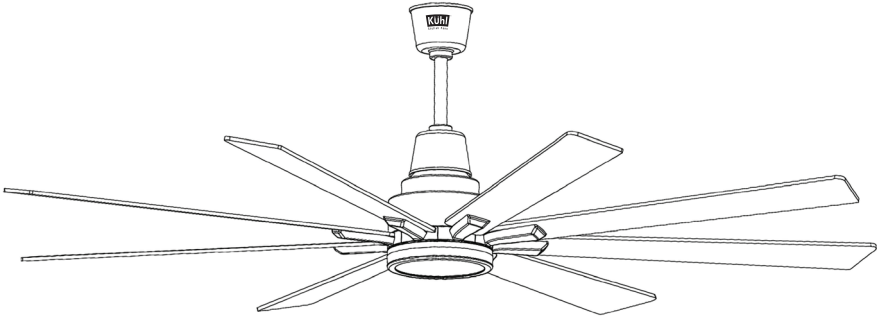
STEP 10: INSERT DOWN ROD ASSEMBLY ONTO SHAFT, FASTEN WITH BOLT, CONNECT WIRES



STEP 11: INSERT SHACKLE IN CEILING HOOK, ATTACH FAN AND CONNECT WIRES



ASSEMBLY AND INSTALLATION COMPLETE



NOTE: The fan model illustrated in this manual is the Kühl Polariz Super 72, but the assembly instructions are the same for all other Polariz Series models that is Polariz Gold 72 and Polariz Star 66 and these fan models may have different parts that may vary slightly.

How to operate Kühl Polariz BLDC Fan Series

Important Instructions regarding Regulator:

- Fan regulator is not required for this BLDC fan because it is operated by remote.
- You should ask your electrician to bypass the Regulator in Switch Board wiring, Otherwise fan may not operate properly.
- If Fan wiring is already through a Regulator in switch board, then make sure that Regulator is always set at max speed, and any change in speed should be done by Remote.



How to operate Remote Control Device

Get the Remote ready.

- Insert 2 Nos. AAA Batteries provided into the Remote Unit's slot provided at back.
- Switch ON the fan from switch board to operate it with Remote as explained hereafter.

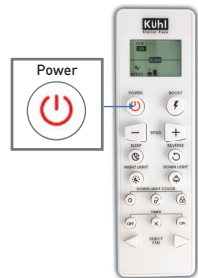
Pair the Remote with Fan, if not paired already.

- Press POWER button on Remote to start BLDC Fan.
- In case the fan starts running, your Remote is already paired.
- However if the fan does not run, the remote requires pairing with Fan. Do the following:
- Switch OFF the fan from switch on the wall, and Switch it ON again.
- Within 45 sec of switch ON, press the POWER button on Remote and keep it pressed for 10 sec. You'll hear a double beep. The fan is now paired and can be operated with remote.



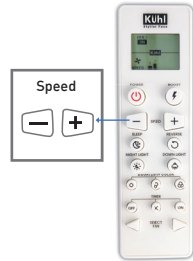
Power ON/OFF Button

- Press POWER button on Remote to start BLDC Fan.
- Beep sound will indicate that it is switched ON.
- Press power button again to switch OFF/ON the BLDC Fan.
- BLDC fan always re-starts at last Switch OFF speed.
- In case there is a power failure, the fan will automatically restart at previous speed.
- If you want to switch off the fan during power failure, you have to switch it off from the Main board switch in wall, as remote is not operational without Power.
- It is recommended to switch off the fan from wall mounted switch when going out of home.



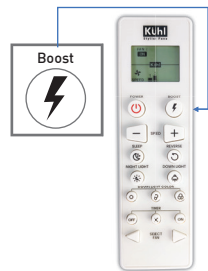
Speed Buttons

- K hl BLDC Fans comes with five different speed settings. You can control the speed, with the help of the (-) & (+) buttons. For instance, to decrease the speed press (-) and vice – versa.



Boost Button

- If you want to run the BLDC fan at maximum speed Press BOOST button on Remote. A beep will confirm the action.



Down Light Button

- To turn on the down light, press the DOWN LIGHT button from the fan remote, as soon as you press it, the down light of the fan will turn on.
- Pressing DOWN LIGHT button again will change the colour of Light. Pressing yet again will again change the colour of light to third Light mode. Pressing once again will switch Off the Light.





**CONTACT US AT:
KENT RO SYSTEMS LTD.**

E-6, Sector-59, Noida, U.P. - 201 309, India. Call: 92-789-12345
E-mail: service@kuhl.in or visit us at www.kuhl.in